

Instructions for: Recessed Grid/Flange Fixtures - CRC/HRS/RXR/VRR

IMPORTANT!

When using electrical equipment, basic safety precautions must be followed:

Service must be performed by qualified service personnel.

Do not use product for other than intended use.

Do not install this product near gas or electric heaters.

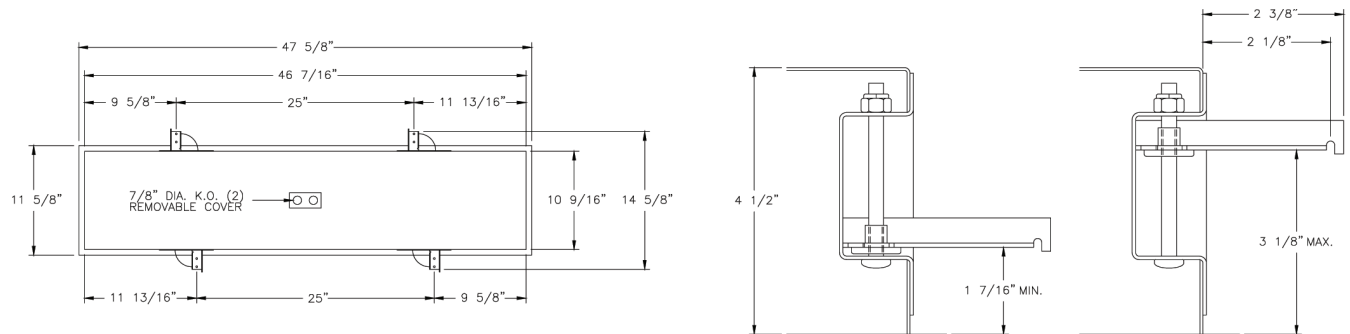
CRC/HRS/RXR/VRR (FLANGE) INSTALLATION INSTRUCTIONS

1. Prepare installation site in accordance with all applicable building codes.
2. Unfasten door retaining screws and remove door from fixture.
3. Remove side reflector covering conduit access.
4. Punch out all wire access knockouts that will be used.
5. If a tight seal between the housing flange and ceiling surface is required, run a continuous bead of caulk along top of housing flange.
6. Raise housing into prepared ceiling opening and drive the (4) swing arm screws to extend swing arms.
7. Continue driving swing arm screws until housing clamps tightly to ceiling.
8. Wire fixture in accordance with NEC and local code requirements.
9. Reinstall all removed components.

CRC HRS RXR VRR 1×4 Installation

Recommended ceiling cutout: $46 \frac{5}{8}" \times 10 \frac{3}{4}"$

Recommended plaster frame cutout: $47 \frac{7}{8}" \times 11 \frac{7}{8}"$

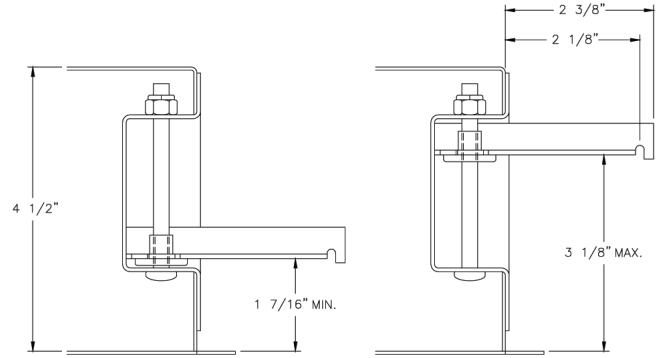
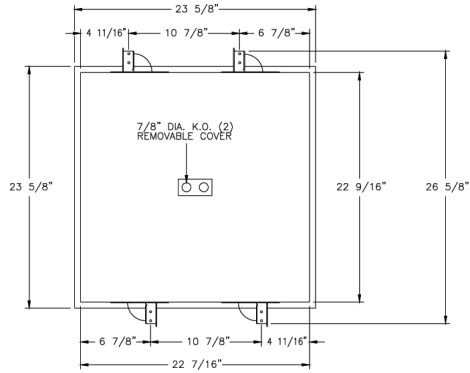


*Dimensions are subject to change without notice.
Any additional instructions present on or within the fixture supersede these instructions.*

CRC HRS RXR VRR 2x2 Installation

Recommended ceiling cutout: 22 5/8" x 22 3/4"

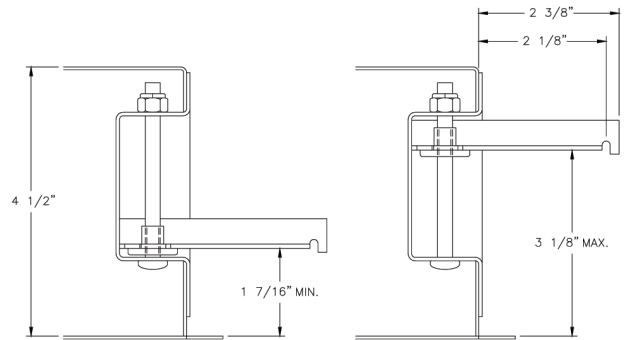
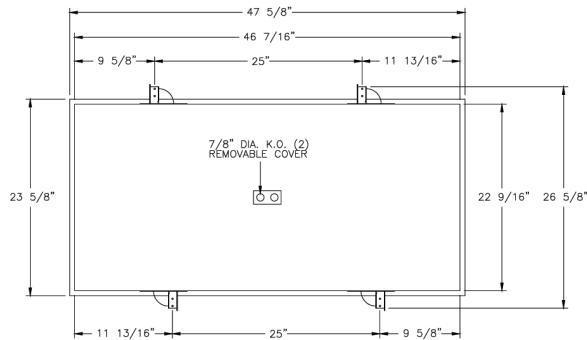
Recommended plaster frame cutout: 23 7/8" x 23 7/8"



CRC HRS RXR VRR 2x4 Installation

Recommended ceiling cutout: 46 5/8" x 22 3/4"

Recommended plaster frame cutout: 47 7/8" x 23 7/8"

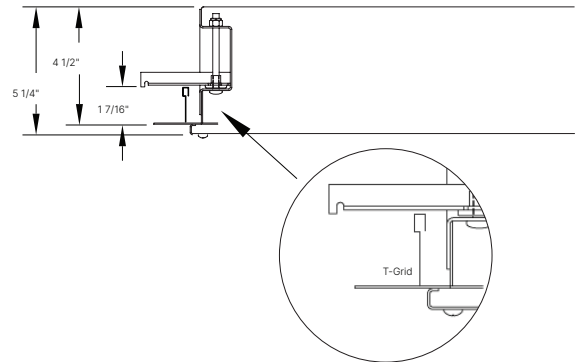
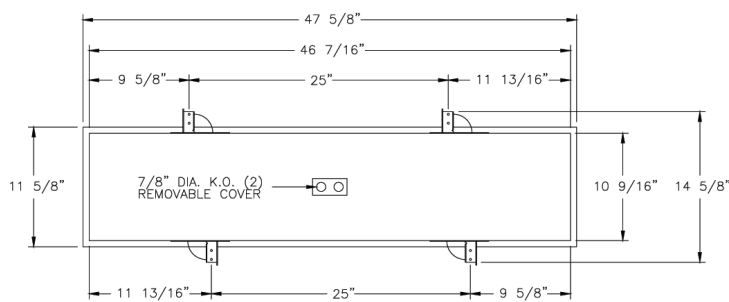


Dimensions are subject to change without notice.
Any additional instructions present on or within the fixture supersede these instructions.

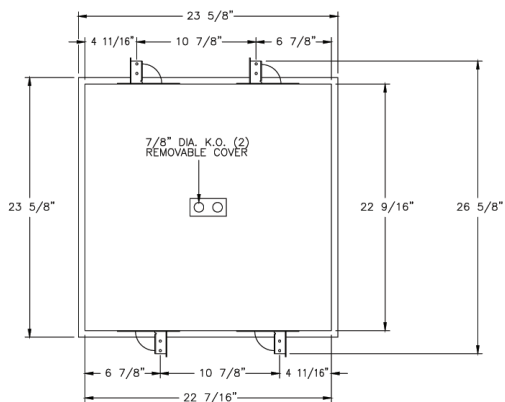
CRC/HRS/RXR/VRR (GRID) INSTALLATION INSTRUCTIONS

1. Prepare installation site in accordance with all applicable building codes.
2. Unfasten door retaining screws and remove door from fixture.
3. Remove side reflector covering conduit access.
4. Punch out all wire access knockouts that will be used.
5. Angle housing through grid opening and reorient to seat within grid.
6. Exposed swing arm bolts may be used as anchor points if anchoring fixture to building superstructure.
7. Wire fixture in accordance with NEC and local code requirements.
8. Reinstall all removed components.

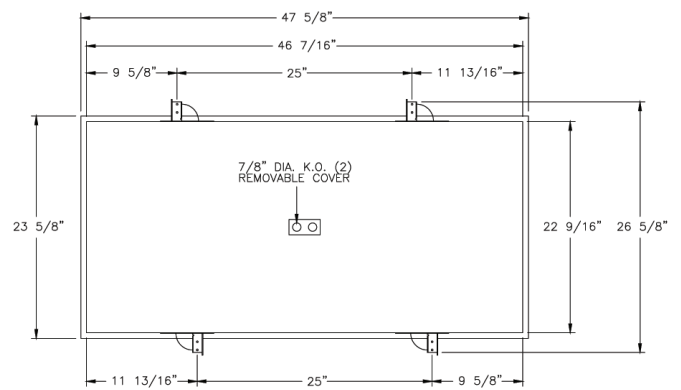
CRC HRS RXR VRR 1x4 Installation



CRC HRS RXR VRR 2x2 Installation



CRC HRS RXR VRR 2x4 Installation



*Dimensions are subject to change without notice.
Any additional instructions present on or within the fixture supersede these instructions.*