

Instructions for: RXS Surface/Grid Fixtures

IMPORTANT!

When using electrical equipment, basic safety precautions must be followed:

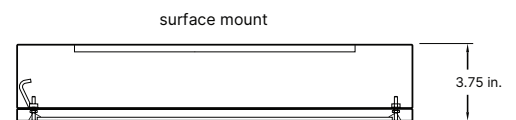
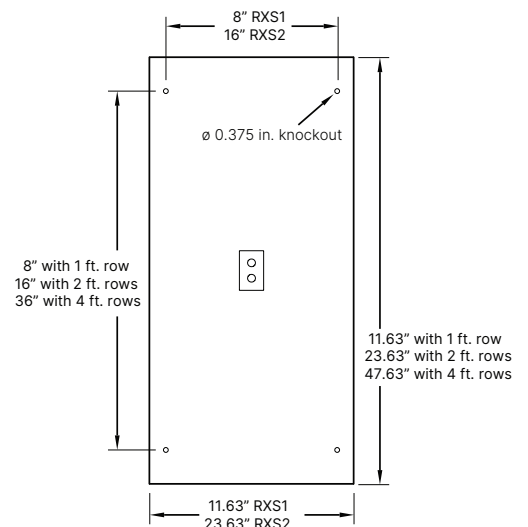
Service must be performed by qualified service personnel.

Do not use product for other than intended use.

Do not install this product near gas or electric heaters.

RXS (SURFACE) INSTALLATION INSTRUCTIONS

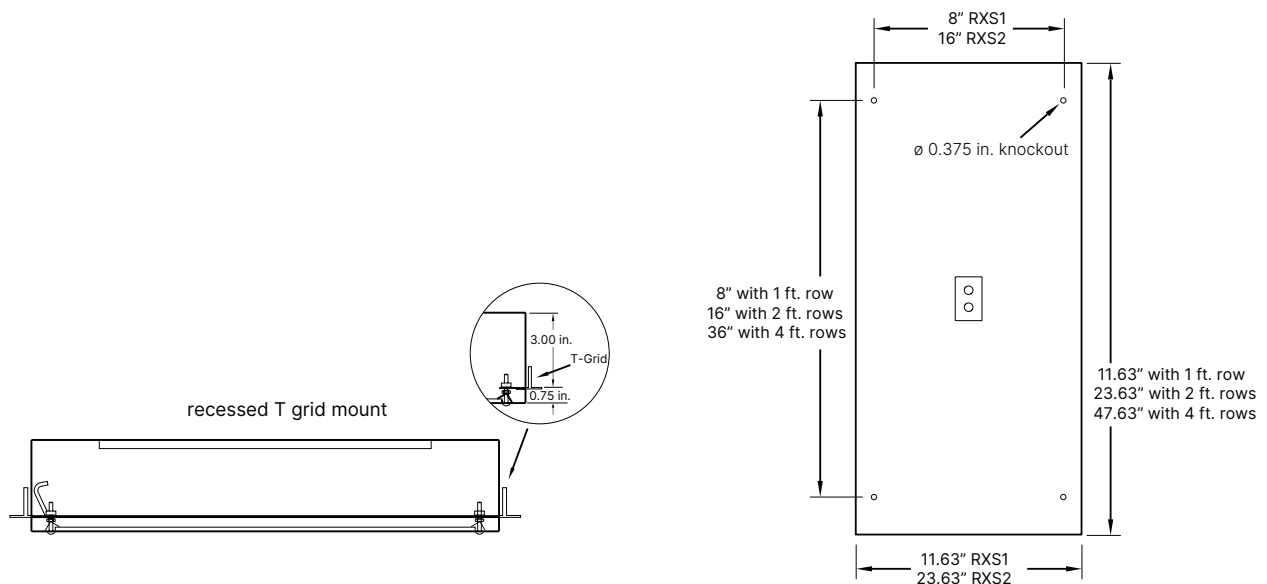
1. Prepare installation site in accordance with all applicable building codes.
2. Unfasten door retaining screws.
3. Disconnect all electrical connections to the door and remove door from fixture.
4. Remove wireway from housing.
5. Punch out all wire access knockouts that will be used.
6. Punch out all 0.375 in. dia. fixture mounting knockouts.
7. Mount fixture to surface using all 0.375 in. dia. mounting points.
8. Hang wireway from housing such that electrical connections are accessible.
9. Wire fixture in accordance with NEC and local code requirements.
10. Pivot wireway closed and secure to housing back.
11. Hang fixture door from housing side.
12. Reconnect all electrical connections to the door.
13. Affix door to housing with door closure screws.



*Dimensions are subject to change without notice.
Any additional instructions present on or within the fixture supersede these instructions.*

RXS (GRID) INSTALLATION INSTRUCTIONS

1. Prepare installation site in accordance with all applicable building codes.
2. Unfasten door retaining screws.
3. Disconnect all electrical connections to the door and remove door from fixture.
4. Remove wireway from housing.
5. Punch out all wire access knockouts that will be used.
6. 0.375 in. dia. surface mounting knockouts may be used as anchor points if anchoring fixture to building superstructure. Punch out all surface mounting knockouts that will be used.
7. Angle housing through grid opening and reorient to seat within grid.
8. Hang wireway from housing such that electrical connections are accessible.
9. Wire fixture in accordance with NEC and local code requirements.
10. Pivot wireway closed and secure to housing back.
11. Hang fixture door from housing side.
12. Reconnect all electrical connections to the door.
13. Affix door to housing with door closure screws.



*Dimensions are subject to change without notice.
Any additional instructions present on or within the fixture supersede these instructions.*