

# Instructions for: RXC Surface/Grid Fixtures

## IMPORTANT!

**When using electrical equipment, basic safety precautions must be followed:**

**Service must be performed by qualified service personnel.**

**Do not use product for other than intended use.**

**Do not install this product near gas or electric heaters.**

### **RXC (SURFACE) INSTALLATION INSTRUCTIONS**

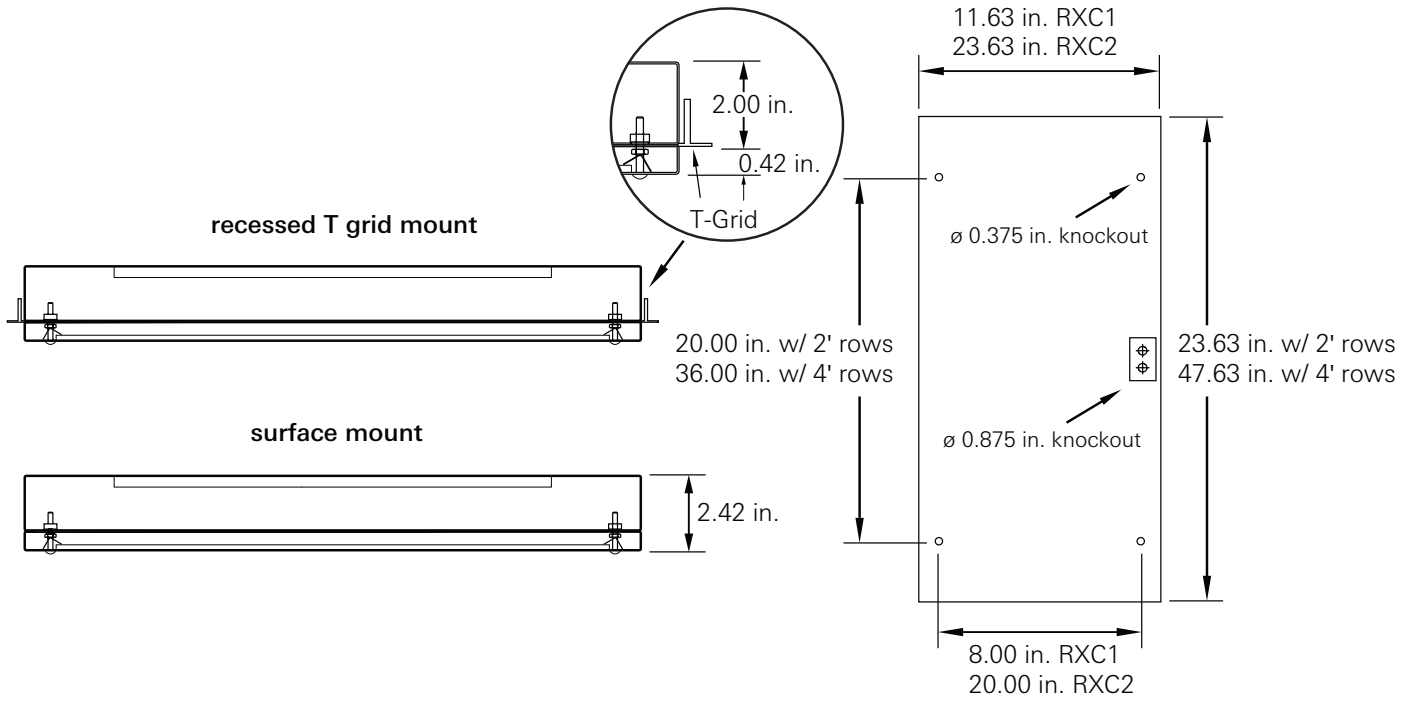
1. Prepare installation site in accordance with all applicable building codes.
2. Unfasten door retaining screws and remove door from fixture.
3. Disconnect power to all LED boards by depressing each board connector's latch and pulling away.
4. Remove internal reflector.
5. Punch out all wire access knockouts that will be used.
6. Punch out all 0.375 in. dia. fixture mounting knockouts.
7. Mount fixture to surface using all 0.375 in. dia. mounting points.
8. Wire fixture in accordance with NEC and local code requirements.
9. Reinstall all removed components.

### **RXC (GRID) INSTALLATION INSTRUCTIONS**

1. Prepare installation site in accordance with all applicable building codes.
2. Unfasten door retaining screws and remove door from fixture.
3. Disconnect power to all LED boards by depressing each board connector's latch and pulling away.
4. Remove internal reflector.
5. Punch out all wire access knockouts that will be used.
6. 0.375 in. dia. surface mounting knockouts may be used as anchor points if anchoring fixture to building superstructure. Punch out all surface mounting knockouts that will be used.
7. Angle housing through grid opening and reorient to seat within grid.
8. Wire fixture in accordance with NEC and local code requirements.
9. Reinstall all removed components.

*Dimensions are subject to change without notice.  
Any additional instructions present on or within the fixture supersede these instructions.*

## RXC Installation



*Dimensions are subject to change without notice.  
Any additional instructions present on or within the fixture supersede these instructions.*