



## PRODUCT SPECIFICATION

The SW series is designed for general purpose lighting in high abuse environments.

**Mounting**

Surface mounts to ceiling. Knockouts on both ends permit continuous fixture mounting.

**Lens**

One piece, vandal resistant, .156 in., extruded, UV satbilized, prismatic polycarbonate lens.

**Housing**

16 gauge cold rolled steel, die-formed to shape with seams welded and ground smooth. Additional gauges, aluminum and stainless steel available.

**Finish**

Polyester powder-coated after phosphate pretreatment for superior adhesion and corrosion resistance. Brushed stainless steel available.

**Hardware**

Stainless steel, tamper-proof fasteners

**Certifications**

UL Listed damp or wet location. Covered ceilings only.

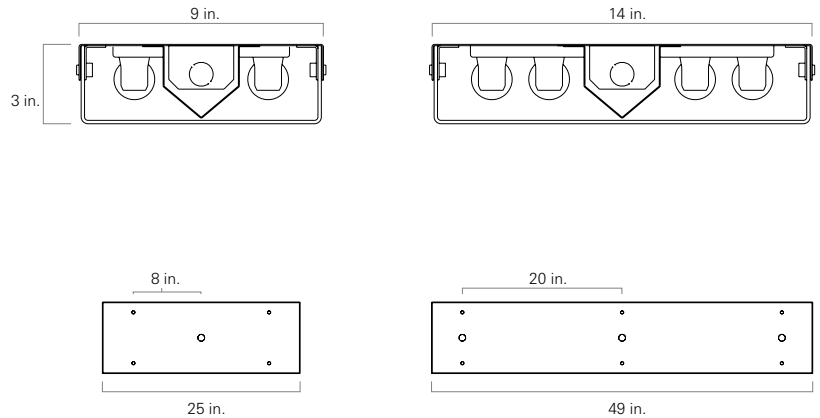
Job Name \_\_\_\_\_

Fixture Type \_\_\_\_\_

Catalog No. \_\_\_\_\_

Approval \_\_\_\_\_

Date \_\_\_\_\_



one two three four five six seven eight nine ten eleven

SW

15

**one Fixture Width**

- 9 9 in. width, two lamp
- 14 14 in. width, four lamp

**two Lamps (not included)**

- 14 2 ft. 14 W T5
- 17 2 ft. 17 W T8
- 24 2 ft. 24 W T5 HO
- 28 4 ft. 28 W T5
- 32 4 ft. 32 W T8
- 54 4 ft. 54 W T5 HO

**three Material Gauge**

- N 18 gauge, minimum security
- D 16 gauge, medium security, std
- X 14 gauge, maximum security

**four Material**

- A Aluminum
- C Cold rolled steel, std
- S Stainless steel

**five Finish**

- R Brushed stainless steel
- W White

**six Voltage**

- 120 120 V, 60 Hz
- 277 277 V, 60 Hz
- 347 347 V, 60 Hz
- VAR Variable, 120-277 V, 50/60Hz

**seven Ballast**

- DM Dimming
- EL Electronic Instant Start, std T8
- PR Program Rapid Start, std T5, option T8

**eight Lens**

- 15 .156 in. polycarbonate K12 prismatic

**nine Fasteners**

- AP Stainless steel allen head with pin
- TP Stainless steel torx head with pin
- PH Phillips, non-security

**ten UL Listing**

- D Damp location
- W Wet location

**eleven Options**

- 2C Two-circuit wired
- CU Canadian UL Listing
- E1 One lamp emergency ballast
- E2 Two lamp emergency ballast
- FH Fuse and holder
- NL Night light, for 7 or 9 W PL bipin
- NL-LED Night light, LED

Modifications are available to meet custom requirements.