



PRODUCT SPECIFICATION

The VSA is designed for general purpose, high abuse areas where an architectural look is required. Also for use in cleanrooms, laboratories, research facilities, kitchen areas, vivariums, and natatoriums.

Mounting

Surface mounts to ceilings or walls.

Housing

Marine grade aluminum extruded housing and die-cast end caps.

Lens Frame

Marine grade aluminum extruded side rails and die-cast ends captivates lens.

Finish

Polyester powder-coated after phosphate pretreatment for superior adhesion and corrosion resistance.

Lens

.125 in. thick extruded polycarbonate snap-fits into lens frame for ease of replacement.

Gasket

Closed cell foam gasket continuously seals lens frame to housing for up to IP67 rating.

Fasteners

Stainless steel, tamperproof fasteners finished to match housing.

Certifications

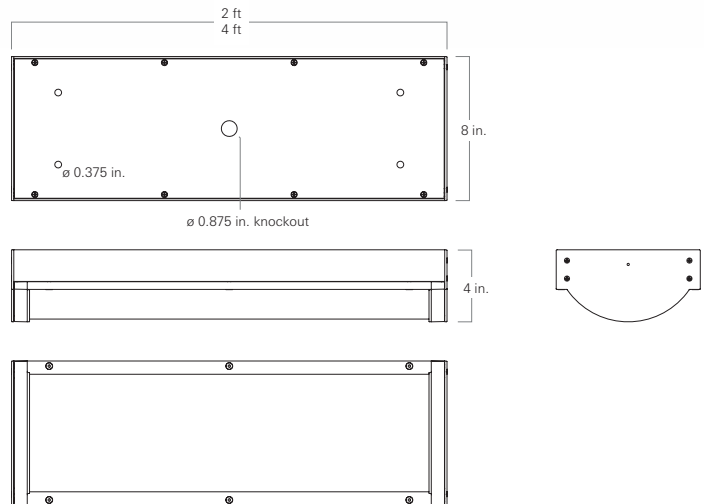
UL Listed wet location. Covered ceilings only. IP65 Rated, optional IP66 and IP67 Ratings available. Constructed to pass MIL-S-901 Grade A, Type A, High Impact Shock Test and MIL-S-167 Type 1, Vibration Test.

Job Name _____

Fixture Type _____

Catalog No. _____

Approval _____ Date _____



one	Lamps (not included)	four	Ballast	eight	UL Listing
14	2 ft. 14 W T5	DM	Dimming	65	IP65 Rated, <u>standard</u>
24	2 ft. 24 W T5 HO	PR	Program Rapid Start, <u>standard</u>	66	IP66 Rated
28	4 ft. 28 W T5			67	IP67 Rated (Natatorium ¹)
54	4 ft. 54 W T5 HO	five	Lens		¹ IP67 Rated option suitable for use in Natatorium application
		OP	Opal polycarbonate, <u>standard</u>	nine	Options
two	Lamp Quantity	six	Finish	2C	Two circuit wired
2	Two	WH	White	CU	Canadian UL Listing
3	Three	BK	Matte Black	E1	One lamp emergency ballast
three	Voltage	LG	Light Gray	E2	Two lamp emergency ballast
120	120 V, 60 Hz	CC	Custom Color (Consult Factory)	FH	Fuse holder
277	277 V, 60 Hz	seven	Fasteners	NL-LED	LED night light
347	347V, 60Hz	TP	Torx head, <u>standard</u>	PC	Photocell
VAR	Variable, 120-277 V, 50/60Hz	PH	Phillips head	IMS	Integral Occ Sensor
				CM	Corner mounting bracket

Modifications are available to meet custom requirements.