

# Instructions for: VSA-VSB Fixtures

## IMPORTANT!

**When using electrical equipment, basic safety precautions must be followed:**

**Service must be performed by qualified service personnel.**

**Do not use product for other than intended use.**

**Do not install this product near gas or electric heaters.**

### **VSA-VSB Surface Mounted Installation Instructions**

1. Prepare installation site in accordance with all applicable building codes.
2. Punch out all 0.375 in. dia. fixture mounting knockouts.
3. Punch out all 0.875 in. dia. wire access knockouts that will be used.
4. If wiring to undrilled fixture end, drill required hole at end casting dimple. To avoid damaging internal components, drill only deep enough to make the hole.
5. Unfasten door retaining screws and remove door from fixture.
6. Remove all reflector retaining screws to gain access to fixture back.
7. Wire straps hold the reflector captive to the housing. If the reflector obstructs fixture mounting or is at risk of damage, fully remove the reflector from fixture:
  - Disconnect power to all LED boards by depressing each board connector's latch and pulling away.
  - Remove nuts holding reflector wire straps to housing.
8. Mount fixture to flat surface using all 0.375 in. dia. mounting knockouts.
  - Recommend silicone at all entry points for exterior installations.
9. Wire fixture in accordance with NEC and local code requirements.
10. Reinstall all removed components.

### **VSA-VSB Pendant Mounted Installation Instructions**

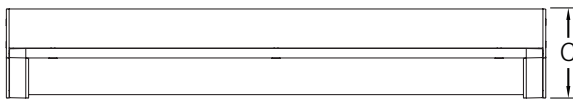
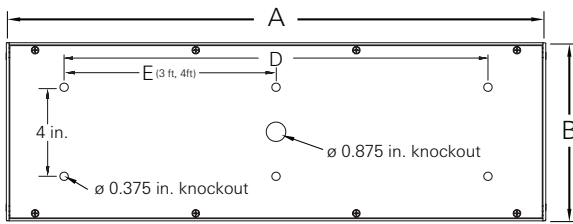
1. Contractor to supply mounting hole template or use standard 0.375 mounting knockouts.
  - Recommend silicone at all entry points for any wet applications.

*\*Mounting hardware by others*

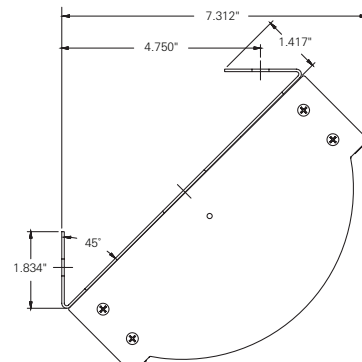
## VSA Installation

Size	A	B	C	D	E
1 ft.	12.2"	8.0"	3.7"	7"	-
2 ft.	24.2"	8.0"	3.7"	19"	-
3 ft.	36.2"	8.0"	3.7"	31"	15.5"
4 ft.	48.2"	8.0"	3.7"	43"	21.5"

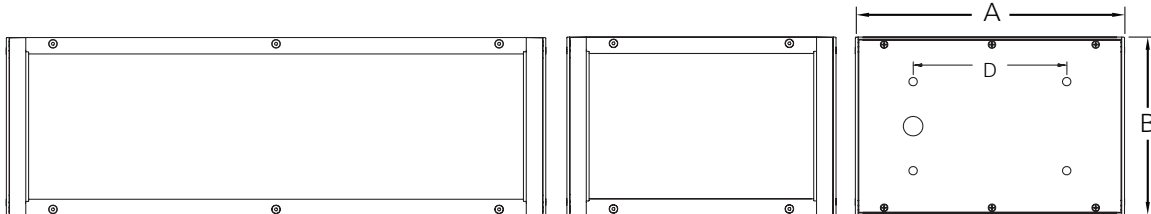
**2 ft., 3 ft., and 4 ft. Fixtures**



**Corner Mounting Option**



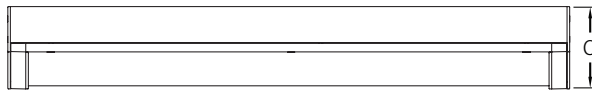
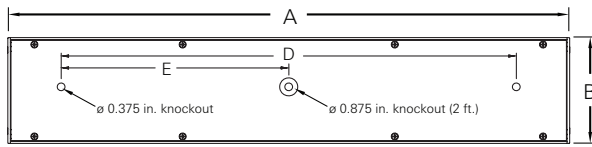
**1 ft. Fixture**



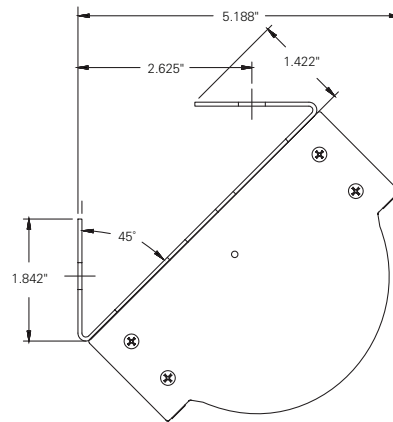
## VSB Installation

Size	A	B	C	D	E
1 ft.	12.2"	5.0"	3.7"	7"	-
2 ft.	24.2"	5.0"	3.7"	18"	9"
3 ft.	36.2"	5.0"	3.7"	30"	-
4 ft.	48.2"	5.0"	3.7"	42"	21"

**2 ft., 3 ft., and 4 ft. Fixtures**



**Corner Mounting Option**



**1 ft. Fixture**

