



VRF1-LED

Vandal Resistant High Abuse **LED** Recessed Flange

PRODUCT SPECIFICATION

The VRF1 is designed for general purpose lighting in high abuse areas, stairwells, locker rooms, showers, and parking garages.

Mounting

Mounts recessed in metal pan or gypsum ceiling with universal mounting brackets.

Housing

18 gauge die-formed cold rolled steel with seams welded and ground smooth.

Door

One-piece 18 gauge cold rolled steel overlapping door with 14 gauge lens retainers. Freedom Hinge™ design permits removal and hinging from either side. Stainless steel and 16 gauge aluminum available.

Internal Lens

LED diffusing Lexan, standard.

Finish

Polyester powder-coated after phosphate pretreatment for superior adhesion and corrosion resistance. Brushed stainless steel available.

Hardware

Recessed, stainless steel, tamper-proof fasteners.

Driver

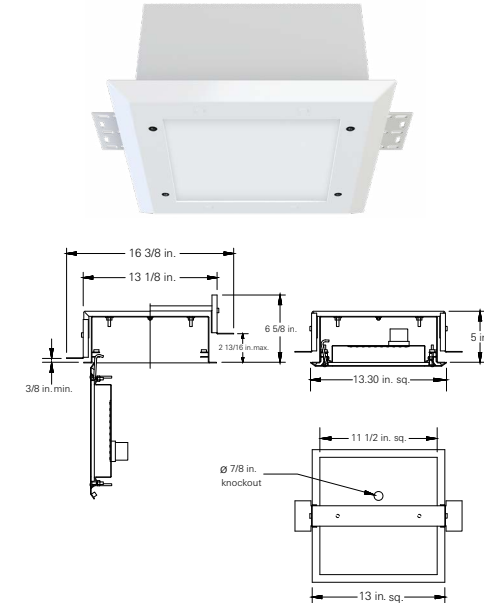
0-10Vdc 1% dimming, >0.9 PF, <20% THD
Factory programmable, Operating temp -40°C
Min. to 50°C Max

Wiring

.875 in. diameter knockout. Driver provided with pre-wired 3-wire self-aligning input power quick disconnect and 2-wire quick disconnect to LED module.

Certifications

UL Listed damp or wet location. IP65 rated.



Job Name _____

Fixture Type _____

Catalog No. _____

Approval _____ Date _____

one two three four five six seven eight nine ten eleven twelve thirteen
VRF1 - - / - - VAR DM - / - -

| | | |
|---|--|--|
| one LED Source Refer to the LED Source Table on Page 2 for available options. | six Finish R Brushed (Stainless steel only) W White | eleven Door Fasteners AP Stainless steel allen head with pin TP Stainless steel torx head with pin PH Phillips, non-security |
| two Color Temperature 30 3000K 35 3500K 40 4000K 50 5000K | seven Voltage VAR Variable, 120-277 V, 50/60Hz | twelve UL Listing D Damp Location W Wet Location |
| three CRI 80 80 CRI 90 90 CRI | eight Driver DM 0-10Vdc Dimming, <u>standard</u> | thirteen Options AM Anti-microbial coating (exposed areas) CP CCEA Chicago CU Canadian UL Listing EM Emergency battery backup FH Fuse and holder PF Plaster frame |
| four Door Gauge N 18 gauge D 16 gauge, aluminum only | nine Internal Lens 122 Optic Plus LED diffusing acrylic 130 LED diffusing Lexan, <u>standard</u> 53 .125 in. prismatic acrylic 12 .125 in. prismatic polycarbonate 15 .156 in. prismatic polycarbonate | Housing Material AH Aluminum SH Stainless steel |
| five Door Material A Aluminum C Cold rolled steel S Stainless steel | ten External Lens 00 No external lens, <u>standard</u> 33 .125 in. clear polycarbonate 30 .187 in. clear polycarbonate 32 .250 in. clear polycarbonate | |

Modifications are available to meet custom requirements. Specifications and dimensions are subject to change without notice.

| CRI | LED Life |
|-----|----------|
| >80 | >100,000 |

| LED Source (Box 2) | 3000K | | 3500K | | 4000K | | 5000K | | Input Watts |
|------------------------|------------------|-----|------------------|-----|------------------|-----|------------------|-----|-------------|
| | Delivered Lumens | L/W | Delivered Lumens | L/W | Delivered Lumens | L/W | Delivered Lumens | L/W | |
| 1' x 1' Fixture | | | | | | | | | |
| 1W19 | 1985 | 117 | 2015 | 119 | 2074 | 122 | 2132 | 125 | 17.0 |
| 1W25 | 2657 | 116 | 2697 | 117 | 2776 | 121 | 2854 | 124 | 23.0 |
| 1W31 | 3270 | 113 | 3319 | 114 | 3417 | 118 | 3513 | 121 | 29.0 |

Delivered lumen output calculated using 130 inner lens and no outer lens (Highlighted below).

| Lens Multiplier - Use the multipliers below to adjust the delivered lumens | | | | | | | | | |
|--|---|--|--|------|--------------------------|------------------------------|------------|--|------|
| Internal Lens | | | | | External Lens | | | | |
| 53 | .125 in. prismatic acrylic | | | 1.05 | 33 | .125 in. clear polycarbonate | | | 0.86 |
| 12 | .125 in. prismatic polycarbonate | | | 1.03 | 30 | .187 in. clear polycarbonate | | | 0.85 |
| 15 | .156 in. prismatic polycarbonate | | | 1.02 | 32 | .250 in. clear polycarbonate | | | 0.83 |
| 122 | Optic Plus diffusing acrylic | | | 1.05 | 00 | No external lens | | | 1.00 |
| 130 | .118 in. LED diffusing Lexan, <u>standard</u> | | | 1.00 | 90 CRI Multiplier | | .83 | | |

Specified Output Option

L.C. Doane programmable drivers allow us to deliver a specific lumen output. If none of the options in the chart above fit your application, let us know the desired lumen output and we will do the rest. See the example how this will be specified.

Example Model:

VRF1-**1W**SO-40/80-NCW-VARDM-130/00-APD-(XXXX)

1W = We will determine the number of rows.

LUMENS = XXXXX