



USBN-LED

Correctional Maximum Security **LED** Surface Mount Ceiling

PRODUCT SPECIFICATION

The USB series is designed for ceiling surface mount cell lighting in medium, maximum and super max security detention facilities. The unique lens design maximizes fixture efficiency.

Mounting

Surface mounts to ceiling.

Clamshell Housing

One piece, die-formed cold rolled steel with seams welded and ground smooth with 14 gauge lens retainers. Our unique hinge-free system allows the housing to be completely removed for ease of installation and servicing. This feature also allows the door to be hinged from either side of backplate. Stainless steel available.

Back Plate

16 gauge die-formed cold rolled steel with embossed mounting holes to create a contraband drop slot / irretrievable blade trap. Stainless steel available.

Internal Lens

One piece vandal resistant opal polycarbonate inner lens (standard) with a one piece clear polycarbonate outer lens (if required). Prismatic polycarbonate inner lens optional.

Finish

Polyester powder-coated after phosphate pretreatment for superior adhesion and corrosion resistance. Brushed stainless steel available.

Hardware

Recessed, stainless steel, tamper-proof fasteners.

Driver

0-10Vdc 1% dimming, >0.9 PF, <20% THD
Factory programmable, Operating temp -40°C Min. to 50°C Max

Wiring

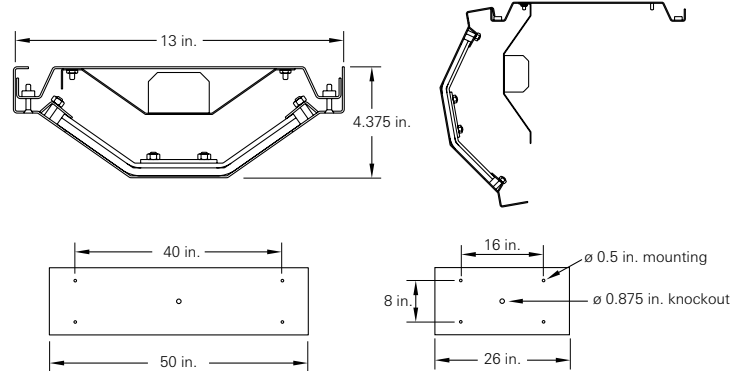
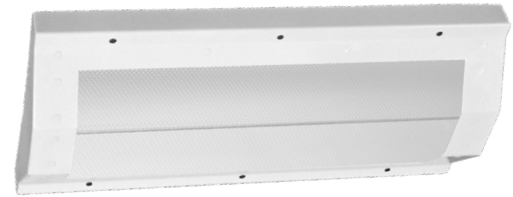
Driver provided with pre-wired 3-wire self-aligning input power quick disconnect and 2-wire quick disconnect to LED module.

Job Name _____

Fixture Type _____

Catalog No. _____

Approval _____ Date _____



Certifications

UL Listed damp location. IP44 rated.
Covered ceilings only.



one two three four five six seven eight nine ten eleven twelve thirteen fourteen
USBN - / - DM - / -

<p>one Luminaire Size 2 2 ft fixture 4 4 ft fixture</p> <p>two LED Source Refer to the LED Source Table on Page 2 for available options.</p> <p>three Color Temperature 30 3000K 35 3500K 40 4000K 50 5000K</p> <p>four CRI 80 80 CRI 90 90 CRI</p> <p>five Housing Gauge N 18 gauge, minimum security D 16 gauge, medium security X 14 gauge, maximum security U 12 gauge, super max, <u>CRS only</u></p>	<p>six Housing Material C Cold rolled steel S Stainless steel</p> <p>seven Finish R Brushed stainless steel W White</p> <p>eight Voltage VAR Variable, 120-277 V, 50/60Hz 347 347VAC, 60Hz</p> <p>nine Driver DM 0-10Vdc Dimming, <u>standard</u></p> <p>ten Internal Lens 130 .125 in. LED diffusing Lexan, <u>standard</u> 15 .156 in. K12 prismatic polycarbonate 16 .187 in. K12 prismatic polycarbonate</p> <p>eleven External Lens 30 .187 in. clear polycarbonate 32 .250 in. clear polycarbonate, <u>standard</u> 36 .375 in. clear polycarbonate</p>	<p>twelve Fasteners AP Stainless steel allen head with pin TP Stainless steel torx head with pin PH Phillips, non-security</p> <p>thirteen Electrical Access A 2.250 in. diameter access hole K 0.875 in. diameter knockout(s), <u>std</u></p> <p>fourteen Options SO Specified output* 2C Two-circuit wired CU Canadian UL Listing EM Emergency battery backup FH Fuse and holder IMS Integral Occ Sensor NL-LED Night light, LED (Amber available) <i>5-100% Adjustability</i></p> <p>* Indicated as SO(xx/xxxx). Specified output, Input watts / delivered lumens to be determined based on specified requirements.</p>
---	---	---

Modifications are available to meet custom requirements. Specifications and dimensions are subject to change without notice.

CRI	LED Life
>80	>100,000

LED Source (Box 2)	3000K		3500K		4000K		5000K		Input Watts
	Delivered Lumens	L/W	Delivered Lumens	L/W	Delivered Lumens	L/W	Delivered Lumens	L/W	
1' x 2' Fixture									
3W15	1487	100	1527	103	1573	106	1573	106	14.8
3W27	2584	100	2655	103	2735	106	2735	106	25.9
3W39	3666	99	3766	101	3880	104	3880	104	37.2
3W53	5060	96	5198	99	5355	102	5355	102	52.5
3W67	6400	94	6575	97	6774	100	6774	100	67.9
3W78	7371	93	7571	95	7801	98	7801	98	79.5
1' x 4' Fixture									
3W39	3712	100	3813	103	3928	106	3928	106	37.2
3W54	5169	100	5310	103	5470	106	5470	106	51.8
3W70	6618	99	6798	102	7004	105	7004	105	66.8
3W81	7686	98	7895	101	8135	104	8135	104	78.2
3W107	10120	96	10395	99	10710	102	10710	102	104.9
3W135	12801	94	13149	97	13547	100	13547	100	135.8
3W156	14742	93	15143	95	15602	98	15602	98	159.1

Lens Multiplier - Use the multipliers below to adjust the delivered lumens					
Internal Lens			External Lens		
15	.156 in. K12 prismatic polycarbonate	1.02	30	.187 in. Clear polycarbonate	1.02
16	.187 in. K12 prismatic polycarbonate	1.00	32	.250 in. Clear Polycarbonate	1.00
130	.125 in. LED diffusing Lexan	1.00	36	.375 in. Clear Polycarbonate	.95
90 CRI Multiplier		.83			

Delivered lumen output calculated using 130 inner lens and 32 (.250" Clear Polycarbonate) outer lens (Highlighted above)

Specified Output Option

L.C. Doane programmable drivers allows us to deliver a specific lumen output. If none of the options in the chart above fit your application, let us know the desired lumen output and we will do the rest. See the example how this will be specified.

Example Model:

USBN2-XX'SO-40/80-DCW-VARDM-130/32-APK-(XX/LUMENS)

LUMENS = You provide the lumens.

XX¹ = We will determine the number of rows.

XX² = We will provide the wattage information.