



USBN-LED

Maximum Security Surface Mount **LED** Ceiling

PRODUCT SPECIFICATION

The USBN series is designed for ceiling surface mount cell lighting in medium, maximum and super max security detention facilities. The unique lens design maximizes fixture efficiency.

Mounting

Surface mounts to ceiling.

Clam Shell Housing

One piece, die-formed cold rolled steel with seams welded and ground smooth, 14 gauge lens retainers and our unique hinge-free system allowing the housing to be completely removed for ease of installation and servicing. Stainless steel available.

Back Plate

16 gauge die-formed cold rolled steel.

Internal Lens

One piece vandal resistant prismatic polycarbonate inner lens with a one piece clear polycarbonate outer lens (if required).

Finish

Polyester powder-coated after phosphate pretreatment for superior adhesion and corrosion resistance. Brushed stainless steel available.

Hardware

Recessed, stainless steel, tamper-proof fasteners.

Driver

0-10Vdc dimming, Range 10%-100%
-40°C Min. starting temperature, >0.9 PF, <20% THD.

Wiring

Driver provided with pre-wired 3-wire self-aligning input power quick disconnect and 2-wire quick disconnect to LED module.

Certifications

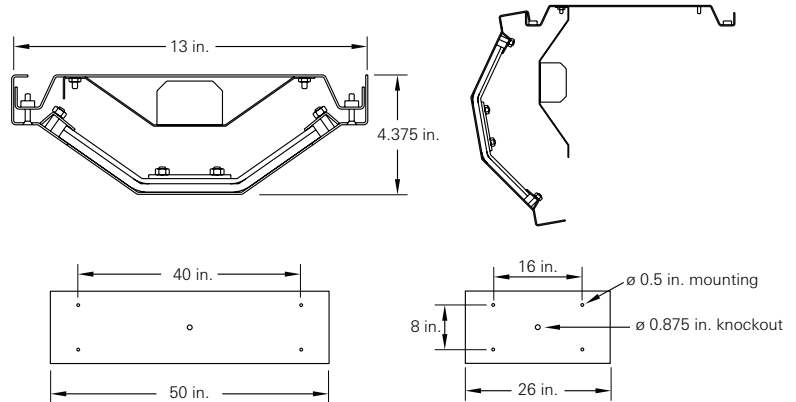
UL Listed damp location. IP44 rated.
Covered ceilings only.

Job Name _____

Fixture Type _____

Catalog No. _____

Approval _____ Date _____



USBN	one	-	3L	two	-	three	-	four	five	six	-	seven	DM	eight	-	nine	/	ten	eleven	twelve	-	thirteen
------	-----	---	----	-----	---	-------	---	------	------	-----	---	-------	----	-------	---	------	---	-----	--------	--------	---	----------

one Luminaire Size

- 2 2 ft fixture
- 4 4 ft fixture

two LED Rows

- 3L Three

three Color Temperature

- 30 3000K
- 35 3500K
- 40 4000K
- 50 5000K

four Housing Gauge

- N 18 gauge, minimum security
- D 16 gauge, medium security
- X 14 gauge, maximum security
- U 12 gauge, super max, CRS only

five Housing Material

- C Cold rolled steel
- S Stainless steel

six Finish

- R Brushed stainless steel
- W White

seven Voltage

- 120 120 V, 60 Hz
- 277 277 V, 60 Hz
- VAR Variable, 120-277 V, 50/60Hz

eight Driver

- DM 0-10Vdc Dimming, standard

nine Internal Lens

- 15 .156 in. K12 prismatic polycarbonate
- 16 .187 in. K12 prismatic polycarbonate

ten External Lens

- 30 .187 in. clear polycarbonate
- 32 .250 in. clear polycarbonate
- 36 .375 in. clear polycarbonate

eleven Fasteners

- AP Stainless steel allen head with pin
- TP Stainless steel torx head with pin
- PH Phillips, non-security

twelve Electrical Access

- A 2.250 in. diameter access hole
- K 0.875 in. diameter knockout(s), std

thirteen Options

- SO Specified output*
- 2C Two-circuit wired
- CU Canadian UL Listing
- EM Emergency battery backup
- FH Fuse and holder
- NL-LED Night light, LED (Amber available)
5-100% Adjustability
- IMS Integral Occ Sensor

* Indicated as SO(xx/xxxx). Specified output, Input watts / delivered lumens to be determined based on specified requirements.

Modifications are available to meet custom requirements. Specifications and dimensions are subject to change without notice.