



# SWC-LED

High Abuse Corner Mount **LED** Linear

## PRODUCT SPECIFICATION

The SWC series is designed for general purpose lighting in high abuse environments.

### Mounting

Surface mounts to corner. Knockouts on both ends permit continuous fixture mounting.

### Lens

One piece, vandal resistant, .156 in., extruded, UV stabilized, prismatic polycarbonate lens.

### Housing

16 gauge cold rolled steel, die-formed to shape with seams welded and ground smooth. Additional gauges available. Aluminum and 304 stainless steel available.

### Finish

Polyester powder-coated after phosphate pretreatment for superior adhesion and corrosion resistance. Brushed stainless steel available.

### Hardware

Stainless steel, tamper-proof fasteners.

### Driver

0-10Vdc 1% dimming, >0.9 PF, <20% THD  
Factory programmable, Operating temp -40°C Min. to 50°C Max

### Wiring

Driver provided with pre-wired 3-wire self-aligning input power quick disconnect and 2-wire quick disconnect to LED module.

### Certifications

UL Listed damp or wet location.  
Covered ceilings only. IP43 rated.

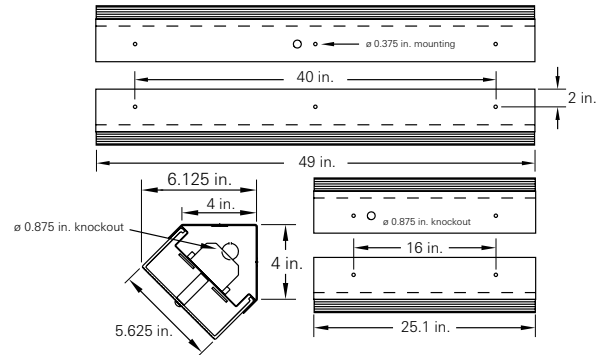
Job Name \_\_\_\_\_

Fixture Type \_\_\_\_\_

Catalog No. \_\_\_\_\_

Approval \_\_\_\_\_

Date \_\_\_\_\_



one	two	three	four	five	six	seven	eight	nine	ten	eleven	twelve
SWC	-	2L	/	-	-	-	VAR	DM	-	-	-

### one Luminaire Size

- 2 2 ft. fixture
- 4 4 ft. fixture

### two LED Rows

- 2L Two

### three Color Temperature

- 30 3000K
- 35 3500K
- 40 4000K
- 50 5000K

### four CRI

- 80 Min 80 CRI
- 90 Min 90 CRI

### five Material Gauge

- N 18 gauge, minimum security
- D 16 gauge, medium security, standard
- X 14 gauge, maximum security

### six Material

- A Aluminum
- C Cold rolled steel, standard
- S Stainless steel

### seven Finish

- R Brushed (stainless steel only)
- W White

### eight Voltage

- VAR Variable, 120-277 V, 50/60Hz

### nine Driver

- DM 0-10VDC Dimming, standard

### ten Fasteners

- AP Stainless steel allen head with pin
- TP Stainless steel torx head with pin
- PH Phillips, non-security

### eleven UL Listing

- D Damp location
- W Wet location

### twelve Options

- SO Specified output\*
- 2C Two-circuit wired
- AM Anti-microbial coating (exposed areas)
- CU Canadian UL Listing
- EM Emergency battery backup
- FH Fuse and holder
- IMS Integral Occ Sensor
- NL-LED Night light, LED
- RMxx\*<sup>1</sup> Row mounting

*Includes Chase Nipple(s), PVC Gasket(s), and Sealing Locknut(s)*

Contact factory for aluminum or 14 - 18 gauge CRS and stainless steel

\* Indicated as SO(xx/xxxx). Specified output, Input watts / delivered lumens to be determined based on specified requirements

\*<sup>1</sup> xx = Length of row in feet



**Lifetime Warranty:** We are proud to offer the L.C. Doane Assurance. L.C. Doane High Abuse lighting products are manufactured to withstand today's complex and demanding environments. The L.C. Doane Company will repair or replace any High Abuse or VR Architectural fixture when installed according to our instructions for the life of the original installation if the fixture should fail due to physical abuse.

Modifications are available to meet custom requirements. Specifications and dimensions are subject to change without notice.