



SW6-LED

High Abuse Surface Mount LED Linear

PRODUCT SPECIFICATION

The SW6 series is designed for general purpose lighting in high abuse environments.

Mounting

Surface mounts to ceilings or walls. Knockouts on both ends permit continuous fixture mounting.

Lens

One piece, vandal resistant, .156 in., extruded, UV stabilized, prismatic polycarbonate lens.

Housing

16 gauge cold rolled steel, die-formed to shape with seams welded and ground smooth. Additional gauges available. Aluminum and 304 stainless steel available.

Finish

Polyester powder-coated after phosphate pretreatment for superior adhesion and corrosion resistance. Brushed stainless steel available.

Hardware

Stainless steel, tamper-proof fasteners.

Driver

0-10Vdc 1% dimming, >0.9 PF, <20% THD
Factory programmable, Operating temp -40°C Min. to 50°C Max

Wiring

Driver provided with pre-wired 3-wire self-aligning input power quick disconnect and 2-wire quick disconnect to LED module.

Certifications

UL Listed damp or wet location.
Covered ceilings only. IP54 rated.

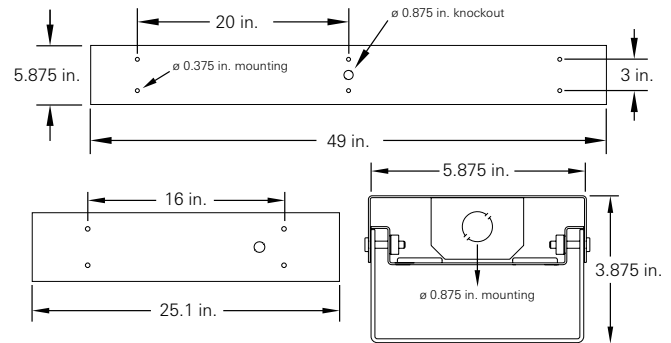
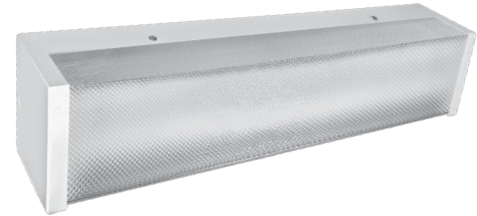
Job Name _____

Fixture Type _____

Catalog No. _____

Approval _____

Date _____



one two three four five six seven eight nine ten eleven twelve
 SW6 - / - - VAR DM - -

one Luminaire Size

- 2 2 ft fixture
- 4 4 ft fixture

two LED Rows

- 1WSO 6,263 Lumens max
- 2WSO 12,500 Lumens max

three Color Temperature

- 35 3500K
- 40 4000K
- 50 5000K

four CRI

- 80 Min 80 CRI
- 90 Min 90 CRI

five Material Gauge

- N 18 gauge, minimum security
- D 16 gauge, medium security, standard
- X 14 gauge, maximum security

six Material

- A Aluminum
- C Cold rolled steel, standard
- S 304 Stainless steel

seven Finish

- R Brushed (stainless steel only)
- W White

eight Voltage

- VAR Variable, 120-277 V, 50/60Hz

nine Ballast

- DM 0-10Vdc Dimming, standard

ten Fasteners

- AP Stainless steel allen head with pin
- TP Stainless steel torx head with pin
- PH Phillips, non-security

eleven UL Listing

- D Damp location
- W Wet location

twelve Options

- SO Specified output*
- 2C Two-circuit wired
- AM Anti-microbial coating (exposed areas)
- CU Canadian UL Listing
- EM Emergency battery backup
- FH Fuse and holder
- IMS Integral Occ Sensor
- NL-LED Night light, LED
- RMxx*¹ Row mounting
Includes Chase Nipple(s), PVC Gasket(s), and Sealing Locknut(s)

Contact factory for aluminum or 14 - 18 gauge CRS and stainless steel

* Indicated as SO(xx/xxxx). Specified output, Input watts / delivered lumens to be determined based on specified requirements

¹ xx = Length of row in feet

Modifications are available to meet custom requirements. Specifications and dimensions are subject to change without notice.

Photometric Data for a 4-ft fixture (Full Output) SO = Specified Output

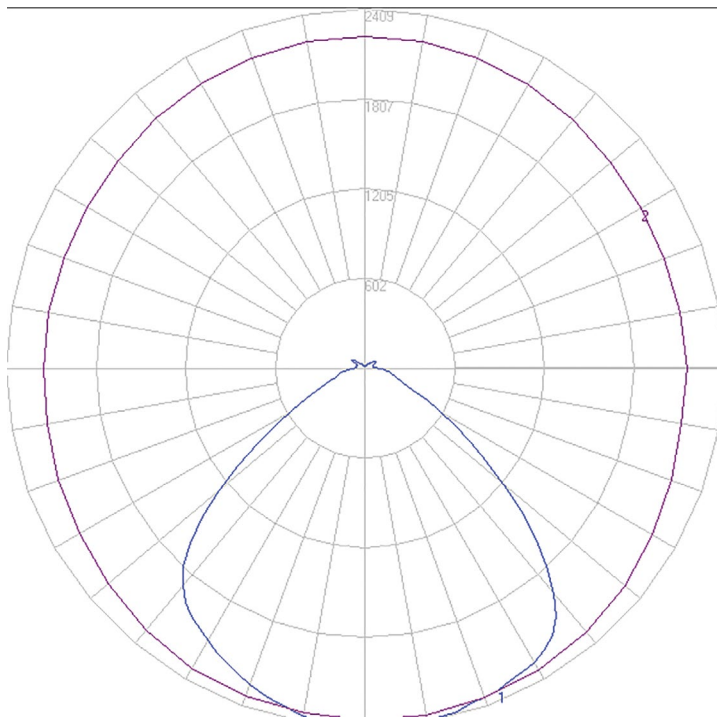
Output	Lumens	Input Watts	Lumens / Watt	CCT	CRI	LED Life
1WSO	6,263	54W	116	4000K	>80	>100,000
2WSO	12,500	108W	116	4000K	>80	>100,000

Coefficients of Utilization - Zonal Cavity Method

Effective Floor Cavity Reflectance: 20%

RCC %:	80				70				50			30			10			0
RW %:	70	50	30	0	70	50	30	0	50	30	20	50	30	20	50	30	20	0
RCR: 0	1.18	1.18	1.18	1.18	1.15	1.15	1.15	.95	1.08	1.08	1.08	1.03	1.03	1.03	.98	.98	.98	.95
1	1.09	1.05	1.01	.97	1.06	1.02	.98	.83	.97	.94	.91	.92	.90	.88	.88	.86	.84	.82
2	1.00	.93	.87	.82	.97	.91	.85	.72	.86	.82	.78	.82	.79	.75	.79	.76	.73	.71
3	.92	.83	.75	.69	.89	.81	.74	.62	.77	.71	.67	.74	.69	.65	.71	.67	.63	.61
4	.85	.74	.66	.60	.82	.72	.65	.55	.69	.63	.58	.66	.61	.57	.64	.59	.55	.53
5	.78	.67	.58	.52	.76	.65	.57	.48	.63	.56	.51	.60	.54	.50	.58	.53	.49	.47
6	.73	.60	.52	.46	.70	.59	.51	.43	.57	.50	.45	.55	.49	.44	.53	.47	.43	.41
7	.67	.55	.47	.41	.66	.54	.46	.38	.52	.45	.40	.50	.44	.39	.48	.43	.39	.37
8	.63	.50	.42	.36	.61	.49	.42	.35	.47	.41	.36	.46	.40	.35	.44	.39	.35	.33
9	.59	.46	.38	.33	.57	.45	.38	.31	.44	.37	.32	.42	.36	.32	.41	.36	.31	.30
10	.55	.42	.35	.30	.54	.42	.35	.28	.40	.34	.29	.39	.33	.29	.38	.33	.29	.27

SW6-LED 4-ft - Polar Candela Distribution



Lifetime Warranty: We are proud to offer the L.C. Doane Assurance. L.C. Doane High Abuse lighting products are manufactured to withstand today's complex and demanding environments. The L.C. Doane Company will repair or replace any High Abuse or VR Architectural fixture when installed according to our instructions for the life of the original installation if the fixture should fail due to physical abuse.