

The SW series is designed for general purpose lighting in high abuse environments.

Mounting

Surface mounts to ceiling. Knockouts on both ends permit conduit wiring and / or row mounting.

Lens

One piece, vandal resistant, .156 in., extruded, UV stabilized, prismatic polycarbonate lens.

Housing

16 gauge cold rolled steel, die-formed to shape with seams welded and ground smooth. Additional gauges available. Aluminum and 304 stainless steel available.

Finish

Polyester powder-coated after phosphate pretreatment for superior adhesion and corrosion resistance. Brushed stainless steel available.

Hardware

Stainless steel, tamper-proof fasteners.

Driver

0-10Vdc 1% dimming, >0.9 PF, <20% THD
Factory programmable, Operating temp -40°C Min. to 50°C Max

Wiring

Driver provided with pre-wired 3-wire self-aligning input power quick disconnect and 2-wire quick disconnect to LED module.

Certifications

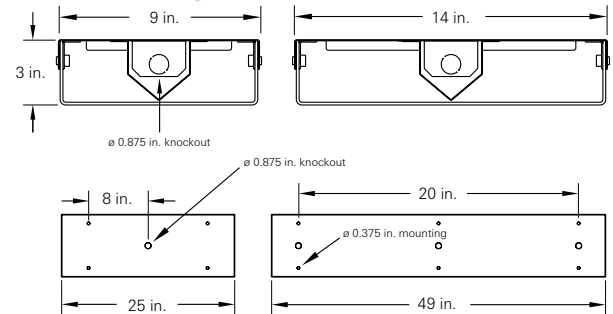
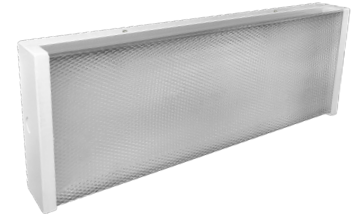
UL Listed damp or wet location.
Covered ceilings only. IP54 rated.

Job Name _____

Fixture Type _____

Catalog No. _____

Approval _____ Date _____



one	two	three	four	five	six	seven	eight	nine	ten	eleven	twelve	thirteen	fourteen
SW		2L	/					VAR	DM	15			

one Fixture Width

- 9 9 in. width
- 14 14 in. width

two Luminaire Size

- 2 2 ft. fixture
- 4 4 ft. fixture

three LED Rows

- 2L Two

four Color Temperature

- 30 3000K
- 35 3500K
- 40 4000K
- 50 5000K

five CRI

- 80 Min 80 CRI
- 90 Min 90 CRI

six Material Gauge

- N 18 gauge, minimum security
- D 16 gauge, medium security, standard
- X 14 gauge, maximum security

seven Material

- A Aluminum
- C Cold rolled steel, standard
- S Stainless steel

eight Finish

- R Brushed (stainless steel only)
- W White

nine Voltage

- VAR Variable, 120-277 V, 50/60Hz

ten Ballast

- DM 0-10VDC Dimming, standard

eleven Lens

- 15 .156 in. polycarbonate K12 prismatic

twelve Fasteners

- AP Stainless steel allen head with pin
- TP Stainless steel torx head with pin
- PH Phillips, non-security

thirteen UL Listing

- D Damp location
- W Wet location

fourteen Options

- SO Specified output*
- 2C Two-circuit wired
- AM Anti-microbial coating (exposed areas)
- CU Canadian UL Listing
- EM Emergency battery backup
- FH Fuse and holder
- IMS Integral Occ Sensor
- NL-LED Night light, LED
- RMxx*¹ Row mounting

Includes Chase Nipple(s), PVC Gasket(s), and Sealing Locknut(s)

Consult factory for aluminum or 14 - 18 gauge CRS and stainless steel

* Indicated as SO(xx/xxxx). Specified output, Input watts / delivered lumens to be determined based on specified requirements

* xx = Length of row in feet



Lifetime Warranty: We are proud to offer the L.C. Doane Assurance. L.C. Doane High Abuse lighting products are manufactured to withstand today's complex and demanding environments. The L.C. Doane Company will repair or replace any High Abuse or VR Architectural fixture when installed according to our instructions for the life of the original installation if the fixture should fail due to physical abuse.

Modifications are available to meet custom requirements. Specifications and dimensions are subject to change without notice.