



PRODUCT SPECIFICATION

The ST series is designed for use in all levels of security facilities and high abuse applications.

Mounting

Surface-mounts to ceilings.

Housing

Die-formed cold rolled steel with seams welded and ground smooth. Stainless steel available.

Door

One piece, die-formed cold rolled steel door with 14 gauge lens retainers and a full length welded pin piano hinge. Stainless steel available.

Finish

Polyester powder-coated after phosphate pretreatment for superior adhesion and corrosion resistance. Brushed stainless steel available.

Hardware

Recessed, stainless steel, tamper-proof fasteners.

Wiring

Reflector-mounted electrical components provide easy wiring and maintenance.

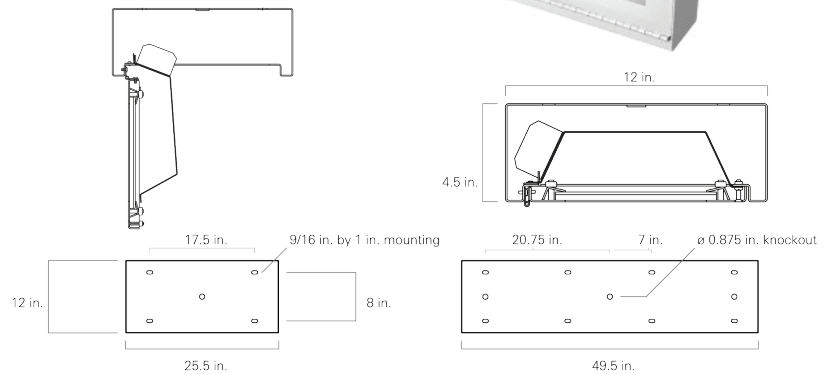
Certifications

UL Listed damp or wet location. Covered ceilings only.

Job Name _____

Fixture Type _____

Catalog No. _____



one Lamps (not included)

- 14 2 ft. 14 W T5
- 17 2 ft. 17 W T8
- 24 2 ft. 24 W T5 HO
- 4B 2 ft. 40 W T5 biax
- 28 4 ft. 28 W T5
- 32 4 ft. 32 W T8
- 54 4 ft. 54 W T5 HO

two Lamp Quantity

- 1 one
- 2 two
- 3 three

three Material Gauge

- N 18 gauge, minimum security
- D 16 gauge, medium security
- X 14 gauge, maximum security
- U 12 gauge, ultra maximum security

four Material

- C Cold rolled steel
- S Stainless steel

five Finish

- R Brushed stainless steel
- W White

six Voltage

- 120 120 V, 60 Hz
- 277 277 V, 60 Hz
- 347 347 V, 60 Hz
- VAR Variable, 120-277 V, 50/60Hz

seven Ballast

- DM Dimming
- EL Electronic Instant Start, std T8
- PR Program Rapid Start, std T5, option T8

eight Internal Lens

- 53 .125 in. acrylic K12 prismatic standard
- 12 .125 in. polycarbonate K12 prismatic
- 15 .156 in. polycarbonate K12 prismatic
- 16 .187 in. polycarbonate K12 prismatic
- 75 .156 in. tempered glass prismatic
- 01 .005 in. UV absorbing overlay

nine External Lens

- 30 .187 in. clear polycarbonate
- 32 .250 in. clear polycarbonate
- 36 .375 in. clear polycarbonate
- 38 .500 in. clear polycarbonate
- 90 .187 in. clear tempered glass
- 92 .250 in. clear tempered glass
- 96 .375 in. clear tempered glass

ten Door Fasteners

- AP Stainless steel allen head with pin
- TP Stainless steel torx head with pin
- PH Phillips head, non-security

eleven Electrical Access

- A 2.250 in. diameter access hole
- K 0.875 in. diameter knockout(s), std

twelve UL Listing

- D Damp Location
- W Wet Location

thirteen Options

- 2C Two-circuit wired
- CU Canadian UL Listing
- E1 One lamp emergency ballast
- E2 Two lamp emergency ballast
- FH Fuse and holder
- NL Night light, for 7 or 9 W PL bipin
- NL-LED Night light, LED
- IMS Integral Occ Sensor
- PS Security push on/off switch

Modifications are available to meet custom requirements.