

The ST series is designed for use in all levels of correctional facilities and high abuse applications. Anti-ligature for patient safety.

Mounting

Surface-mounts to ceilings.

Housing

Die-formed cold rolled steel with seams welded and ground smooth. Stainless steel available.

Door

One piece, die-formed cold rolled steel door with 14 gauge lens retainers and a full length welded pin piano hinge. Stainless steel available.

Internal Lens

Optic Plus lens (standard) completely hides diode image while providing greater than 90% light transmission.

Finish

Polyester powder-coated after phosphate pretreatment for superior adhesion and corrosion resistance. 304 Brushed stainless steel available.

Hardware

Recessed, stainless steel, tamper-proof fasteners.

Driver

0-10Vdc 1% dimming, >0.9 PF, <20% THD
Factory programmable, Operating temp -40°C Min. to 50°C Max

Wiring

Driver provided with pre-wired 3-wire self-aligning input power quick disconnect and 2-wire quick disconnect to LED module.

Certifications

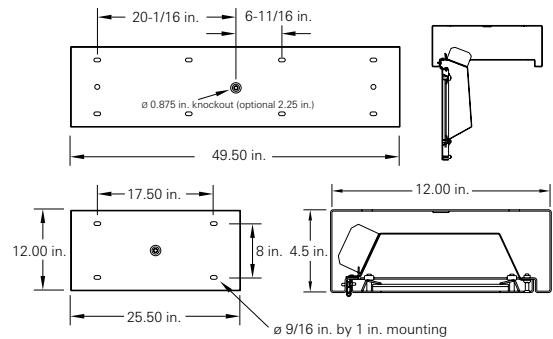
UL Listed damp or wet location. IP54 rated. Covered ceilings only.

Job Name _____

Fixture Type _____

Catalog No. _____

Approval _____ Date _____



one two three four five six seven eight nine ten eleven twelve thirteen fourteen fifteen

ST - / - **DM** - / -

one	Luminaire Size 2 2 ft fixture 4 4 ft fixture	eight	Voltage VAR Variable, 120-277 V, 50/60Hz 347 347VAC, 60Hz	thirteen	Electrical Access A 2.250 in. diameter access hole K 0.875 in. diameter knockout(s), <u>standard</u>
two	LED Source Refer to the LED Source Table on Page 2 for available options.	nine	Driver DM 0-10Vdc Dimming, <u>standard</u>	fourteen	UL Listing D Damp Location W Wet Location
three	Color Temperature 30 3000K 35 3500K 40 4000K 50 5000K	ten	Internal Lens 122 Optic Plus LED diffusing acrylic, standard 130 .125 in. LED diffusing Lexan 53 .125 in. K12 prismatic acrylic 12 .125 in. K12 prismatic polycarbonate 15 .156 in. K12 prismatic polycarbonate 16 .187 in. K12 prismatic polycarbonate	fifteen	Options SO Specified output* 1H0 (1) .875" conduit access hole (one end) 2H0 (2) .875" conduit access holes (each end) 2C Two-circuit wired CU Canadian UL Listing EM Emergency battery backup FH Fuse and holder NL-LED Night light, LED** (Amber available) 5-100% Adjustability IMS Integral Occ Sensor
four	CRI 80 80 CRI 90 90 CRI	eleven	External Lens 30 .187 in. clear polycarbonate 32 .250 in. clear polycarbonate 36 .375 in. clear polycarbonate 38 .500 in. clear polycarbonate 90 .187 in. clear tempered glass 92 .250 in. clear tempered glass 96 .375 in. clear tempered glass	* Indicated as SO(xx/xxxx). Specified output, Input watts / delivered lumens to be determined based on specified requirements.	
five	Material Gauge N 18 gauge, minimum security D 16 gauge, medium security X 14 gauge, maximum security U 12 gauge, ultra maximum security	twelve	Door Fasteners AP Stainless steel allen head with pin TP Stainless steel torx head with pin PH Phillips head, non-security	** Field adjustable LED Night Night from approximately 250 - 500 Lumens.	
six	Material C Cold rolled steel S Stainless steel				
seven	Finish R 304 Brushed stainless steel W White				

Modifications are available to meet custom requirements. Specifications and dimensions are subject to change without notice.

		CRI		LED Life					
		>80		>100,000					
LED Source (Box 2)	3000K		3500K		4000K		5000K		Input Watts
	Delivered Lumens	L/W	Delivered Lumens	L/W	Delivered Lumens	L/W	Delivered Lumens	L/W	
2' Fixture									
1W21	2048	89	2079	90	2140	93	2200	96	23.0
2W39	3766	95	3822	97	3935	99	4045	102	39.6
2W52	5041	92	5116	93	5267	96	5414	99	54.8
4' Fixture									
1W22	2129	95	2161	97	2225	100	2287	103	22.3
1W39	3766	95	3822	97	3935	99	4045	102	39.6
1W52	5041	92	5116	93	5267	96	5414	99	54.8
2W67	6488	96	6585	97	6779	100	6969	103	67.6
2W92	8838	94	8971	96	9235	99	9494	101	93.7
2W105	10081	92	10233	93	10534	96	10829	99	109.6

Delivered lumen output calculated using 122 inner lens and 32 (.250" Clear Polycarbonate) outer lens (Highlighted below).

Lens Multiplier - Use the multipliers below to adjust the delivered lumens					
Internal Lens			External Lens		
53	.125 in. K12 prismatic acrylic	1.00	30	.187" Clear polycarbonate	1.02
12	.125 in K12 prismatic polycarbonate	.98	32	.250" Clear Polycarbonate	1.00
15	.156 in. K12 prismatic polycarbonate	.97	36	.375" Clear polycarbonate	.96
16	.187 in. K12 prismatic polycarbonate	.95	38	.500" Clear polycarbonate	.92
122	Optic Plus diffusing acrylic	1.00	90	.187" Clear tempered glass	1.04
90 CRI Multiplier		.83	92	.250" Clear tempered glass	1.03
			96	.375" Clear tempered glass	.99

Specified Output Option

L.C. Doane programmable drivers allow us to deliver a specific lumen output. If none of the options in the chart above fit your application, let us know the desired lumen output and we will do the rest. See the example how this will be specified.

Example Model:

ST-**XW**SO-40/80-DCW-VARDM-122/32-TPAW-(**XXXXXX**)

XW = We will determine the number of rows.

LUMENS = XXXXX