



ST-LED

Security **LED** Surface Ceiling

PRODUCT SPECIFICATION

The ST series is designed for use in all levels of security facilities and high abuse applications.

Mounting

Surface-mounts to ceilings.

Housing

Die-formed cold rolled steel with seams welded and ground smooth. Stainless steel available.

Door

One piece, die-formed cold rolled steel door with 14 gauge lens retainers and a full length welded pin piano hinge. Stainless steel available.

Internal Lens

Optic Plus lens (standard) completely hides diode image while providing minimum 95% light transmission.

Finish

Polyester powder-coated after phosphate pretreatment for superior adhesion and corrosion resistance. Brushed stainless steel available.

Hardware

Recessed, stainless steel, tamper-proof fasteners.

Driver

0-10Vdc dimming, Range 1%-100%
-40°C Min. starting temperature, >0.9 PF, <20% THD.

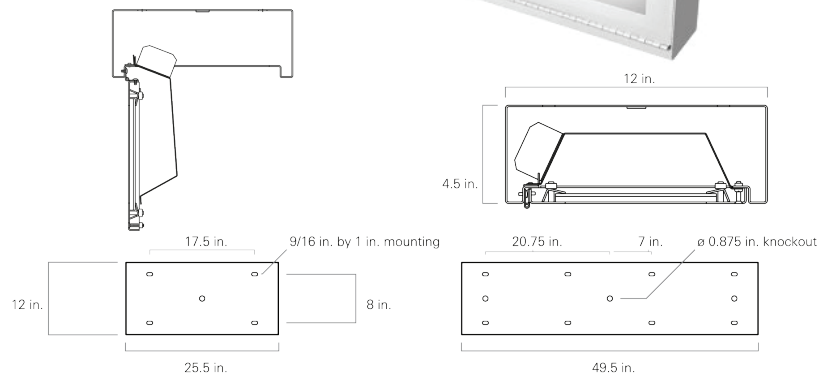
Wiring

Driver provided with pre-wired 3-wire self-aligning input power quick disconnect and 2-wire quick disconnect to LED module.

Job Name _____

Fixture Type _____

Catalog No. _____



Certifications

UL Listed damp or wet location. IP54 rated. Covered ceilings only.



| | | | | | | | | | | | | | | |
|----|-----|-----|-------|------|------|-----|-------|-------|------|-----|--------|--------|----------|----------|
| ST | one | two | three | four | five | six | seven | eight | nine | ten | eleven | twelve | thirteen | fourteen |
|----|-----|-----|-------|------|------|-----|-------|-------|------|-----|--------|--------|----------|----------|

| | |
|------------|-----------------------|
| one | Luminaire Size |
| 2 | 2 ft fixture |
| 4 | 4 ft fixture |

| | |
|------------|-----------------|
| two | LED Rows |
| 1L | One |
| 2L | Two |
| 3L | Three |

| | |
|--------------|--------------------------|
| three | Color Temperature |
| 30 | 3000K |
| 35 | 3500K |
| 40 | 4000K |
| 50 | 5000K |

| | |
|-------------|----------------------------------|
| four | Material Gauge |
| N | 18 gauge, minimum security |
| D | 16 gauge, medium security |
| X | 14 gauge, maximum security |
| U | 12 gauge, ultra maximum security |

| | |
|-------------|-------------------|
| five | Material |
| C | Cold rolled steel |
| S | Stainless steel |

| | |
|------------|-------------------------|
| six | Finish |
| R | Brushed stainless steel |
| W | White |

| | |
|--------------|------------------------------|
| seven | Voltage |
| 120 | 120 V, 60 Hz |
| 277 | 277 V, 60 Hz |
| VAR | Variable, 120-277 V, 50/60Hz |

| | |
|--------------|----------------------------------|
| eight | Driver |
| DM | 0-10Vdc Dimming, <u>standard</u> |

| | |
|-------------|---|
| nine | Internal Lens |
| 122 | Optic Plus LED diffusing acrylic lens, <u>std</u> |
| 53 | .125 in. K12 prismatic acrylic |
| 12 | .125 in K12 prismatic polycarbonate |
| 15 | .156 in. K12 prismatic polycarbonate |
| 16 | .187 in. K12 prismatic polycarbonate |
| 75 | .156 in. C73 prismatic tempered glass |

| | |
|------------|-------------------------------|
| ten | External Lens |
| 30 | .187 in. clear polycarbonate |
| 32 | .250 in. clear polycarbonate |
| 36 | .375 in. clear polycarbonate |
| 38 | .500 in. clear polycarbonate |
| 90 | .187 in. clear tempered glass |
| 92 | .250 in. clear tempered glass |
| 96 | .375 in. clear tempered glass |

| | |
|---------------|-------------------------------------|
| eleven | Door Fasteners |
| AP | Stainless steel allen head with pin |
| TP | Stainless steel torx head with pin |
| PH | Phillips head, non-security |

| | |
|---------------|--|
| twelve | Electrical Access |
| A | 2.250 in. diameter access hole |
| K | 0.875 in. diameter knockout(s), <u>std</u> |

| | |
|-----------------|-------------------|
| thirteen | UL Listing |
| D | Damp Location |
| W | Wet Location |

| | |
|-----------------|--------------------------|
| fourteen | Options |
| SO | Specified output* |
| 2C | Two-circuit wired |
| CU | Canadian UL Listing |
| EM | Emergency battery backup |
| FH | Fuse and holder |
| NL-LED | Night light, LED** |
| IMS | Integral Occ Sensor |

*Indicated as SO(xx/xxxx). Specified output, Input watts / delivered lumens to be determined based on specified requirements.

** Field adjustable LED Night Night from approximately 250 - 500 Lumens.

Modifications are available to meet custom requirements.

Photometric Data for a 1x4 fixture with three rows (Full Output)

| Lumens | Input Watts | Lumens / Watt | CCT | CRI | LED Life |
|--------|-------------|---------------|-------|-----|----------|
| 18110 | 164.3 watts | 110 | 4000K | >80 | >100,000 |

Photometric Data for a 1x2 fixture with three rows (Full Output)

| Lumens | Input Watts | Lumens / Watt | CCT | CRI | LED Life |
|--------|-------------|---------------|-------|-----|----------|
| 9055 | 82.2 watts | 110 | 4000K | >80 | >100,000 |

Coefficients of Utilization - Zonal Cavity Method (ST-LED 1x4)

Effective Floor Cavity Reflectance: 20%

| RCC %: | 80 | | | | 70 | | | | 50 | | | 30 | | | 10 | | | | 0 |
|--------|------|------|------|------|------|------|------|------|------|------|------|------|------|------|------|------|------|------|---|
| | 70 | 50 | 30 | 0 | 70 | 50 | 30 | 0 | 50 | 30 | 20 | 50 | 30 | 20 | 50 | 30 | 20 | 0 | |
| RW %: | 1.19 | 1.19 | 1.19 | 1.19 | 1.16 | 1.16 | 1.16 | 1.00 | 1.11 | 1.11 | 1.11 | 1.06 | 1.06 | 1.06 | 1.02 | 1.02 | 1.02 | 1.00 | |
| RCR: 0 | 1.19 | 1.19 | 1.19 | 1.19 | 1.16 | 1.16 | 1.16 | 1.00 | 1.11 | 1.11 | 1.11 | 1.06 | 1.06 | 1.06 | 1.02 | 1.02 | 1.02 | 1.00 | |
| 1 | 1.10 | 1.05 | 1.01 | .98 | 1.07 | 1.03 | .99 | .86 | .99 | .96 | .93 | .95 | .92 | .90 | .91 | .89 | .88 | .86 | |
| 2 | 1.00 | .92 | .86 | .80 | .97 | .90 | .84 | .73 | .87 | .82 | .78 | .84 | .79 | .76 | .81 | .77 | .74 | .72 | |
| 3 | .91 | .81 | .73 | .67 | .89 | .80 | .72 | .63 | .77 | .71 | .65 | .74 | .69 | .64 | .72 | .67 | .63 | .61 | |
| 4 | .84 | .72 | .64 | .57 | .82 | .71 | .63 | .54 | .69 | .62 | .56 | .66 | .60 | .55 | .64 | .59 | .55 | .53 | |
| 5 | .77 | .65 | .56 | .50 | .75 | .64 | .55 | .48 | .62 | .54 | .49 | .60 | .53 | .48 | .58 | .52 | .48 | .46 | |
| 6 | .71 | .58 | .50 | .43 | .70 | .58 | .49 | .42 | .56 | .48 | .43 | .54 | .48 | .43 | .53 | .47 | .42 | .40 | |
| 7 | .66 | .53 | .45 | .39 | .65 | .52 | .44 | .37 | .51 | .43 | .38 | .49 | .43 | .38 | .48 | .42 | .38 | .36 | |
| 8 | .62 | .49 | .40 | .34 | .60 | .48 | .40 | .34 | .47 | .39 | .34 | .45 | .39 | .34 | .44 | .38 | .34 | .32 | |
| 9 | .58 | .45 | .37 | .31 | .56 | .44 | .36 | .30 | .43 | .36 | .31 | .42 | .35 | .31 | .41 | .35 | .31 | .29 | |
| 10 | .54 | .41 | .33 | .28 | .53 | .41 | .33 | .28 | .40 | .33 | .28 | .39 | .32 | .28 | .38 | .32 | .28 | .26 | |

ST-LED - Polar Candela Distribution (ST-LED 1x4)

ST-LED - Polar Candela Distribution (ST-LED 1x2)

