

Instructions for: SS,ST, TST and VRS Fixtures

IMPORTANT!

When using electrical equipment, basic safety precautions must be followed:

Service must be performed by qualified service personnel.

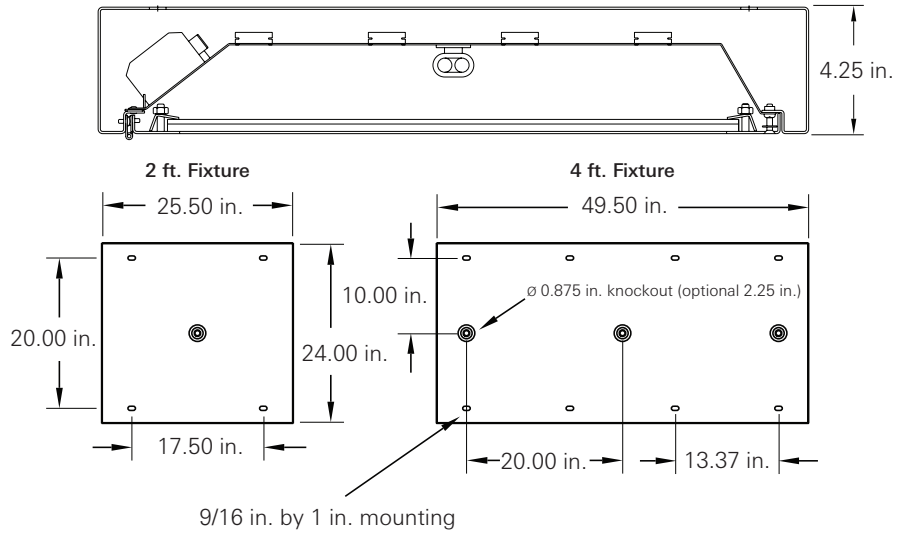
Do not use product for other than intended use.

Do not install this product near gas or electric heaters.

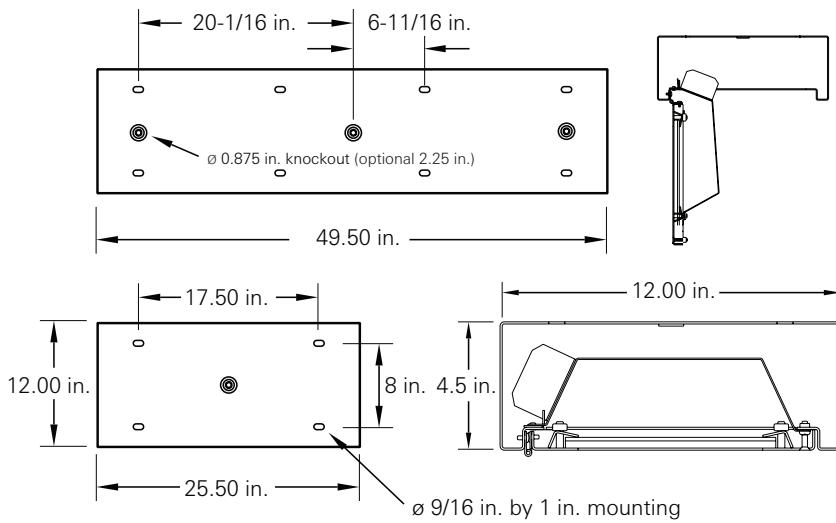
SS/ST/TST/VRS (Surface) Installation Instructions

1. Unfasten the security screws from the fixture door and lower the door on the hinge.
2. Unfasten the screws securing the reflector to the housing.
3. Lower the reflector, separate it from the "T" hinges on the housing and remove the reflector from the fixture.
4. Run power through .875 in. knockout or 2.25 in. access hole in the back of the housing.
5. Raise the housing up to the mounting surface and attach the housing to the mounting surface using fasteners (not provided).
6. Replace the reflector onto the "T" hinges on the housing and let the reflector hang on the "T" hinges.
7. Connect the power to the driver.
8. Lift the reflector back into place and re-secure the screws into the housing.
9. Close the door and re-fasten the security screws.

SS/VRS(2x2, 2x4) Installation



ST/VRS(1x2, 1x4) Installation



TST Installation

