



SS-LED

Security **LED** Surface Ceiling

PRODUCT SPECIFICATION

The SS series is designed for use in all levels of security facilities and high abuse applications.

Mounting

Surface mounts to ceiling.

Housing

Die-formed cold rolled steel with seams welded and ground smooth. Stainless steel available.

Door

One-piece 18 gauge cold rolled steel, gasketed and sealed overlapping door. Aircraft cables connect door to housing. Aluminum and stainless steel available.

Internal Lens

Optic Plus lens (standard) completely hides diode image while providing minimum 95% light transmission.

Finish

Polyester powder-coated after phosphate pretreatment for superior adhesion and corrosion resistance. Brushed stainless steel available.

Hardware

Recessed, stainless steel, tamper-proof fasteners.

Driver

0-10Vdc dimming, Range 1%-100%, Factory programmable -40C Min. starting temperature, 0.9 PF, >20% THD

Wiring

Driver provided with pre-wired 3-wire self-aligning input power quick disconnect and 2-wire quick disconnect to LED module.

Certifications

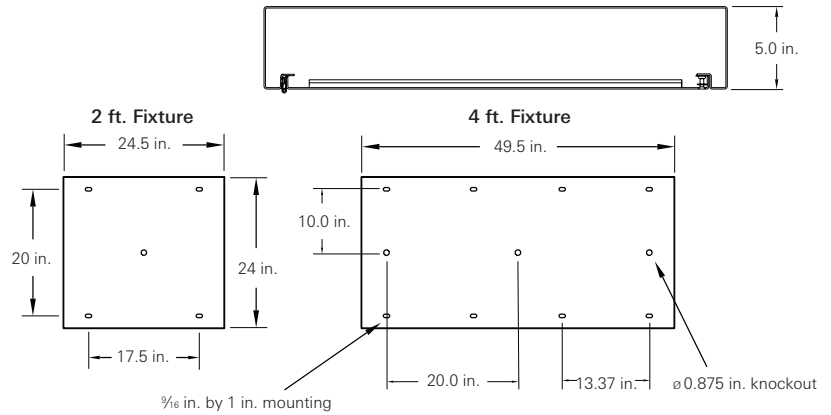
UL Listed damp or wet location. IP54 rated. Covered ceilings only.

Job Name _____

Fixture Type _____

Catalog No. _____

Approval _____ Date _____



SS	one	two	three	four	five	six	seven	eight	nine	ten	eleven	twelve	thirteen	fourteen
----	-----	-----	-------	------	------	-----	-------	-------	------	-----	--------	--------	----------	----------

one	Luminaire Size	seven	Voltage	eleven	Door Fasteners
2	2 ft fixture	120	120 V, 60 Hz	AP	Stainless steel allen head with pin
4	4 ft fixture	277	277 V, 60 Hz	TP	Stainless steel torx head with pin
		VAR	Variable, 120-277 V, 50/60Hz	PH	Phillips head, non-security
two	LED Rows	eight	Driver	twelve	Electrical Access
2L	Two	DM	0-10Vdc Dimming, <u>standard</u>	A	2.250 in. diameter access hole
3L	Three	nine	Internal Lens	K	0.875 in. diameter knockout(s), <u>std</u>
4L	Four	122	Optic Plus LED diffusing acrylic lens, <u>std</u>	thirteen	UL Listing
three	Color Temperature	53	.125 in. K12 prismatic acrylic	D	Damp Location
30	3000K	12	.125 in K12 prismatic polycarbonate	W	Wet Location
35	3500K	15	.156 in. K12 prismatic polycarbonate	fourteen	Options
40	4000K	16	.187 in. K12 prismatic polycarbonate	SO	Specified Output*
50	5000K	75	.156 in. C73 prismatic tempered glass	2C	Two-circuit wired
four	Material Gauge	ten	External Lens	CU	Canadian UL Listing
N	18 gauge, minimum security	30	.187 in. clear polycarbonate	EM	Emergency battery backup
D	16 gauge, medium security	32	.250 in. clear polycarbonate	FH	Fuse and holder
X	14 gauge, maximum security	36	.375 in. clear polycarbonate	NL-LED	Night light, LED (Amber available)
U	12 gauge, super max, <u>CRS only</u>	38	.500 in. clear polycarbonate		5-100% Adjustability
five	Material	90	.187 in. clear tempered glass	IMS	Integral Occ Sensor
C	Cold rolled steel	92	.250 in. clear tempered glass		
S	Stainless steel	96	.375 in. clear tempered glass		
six	Finish				
R	Brushed stainless steel				
W	White				

* Indicated as SO(xx/xxxx). Specified output, Input watts / delivered lumens to be determined based on specified requirements

Modifications are available to meet custom requirements. Specifications and dimensions are subject to change without notice.

Photometric Data for a 2x2 fixture with four rows (Full Output)

Lumens	Input Watts	Lumens / Watt	CCT	CRI	LED Life
13007	109 watts	119	3950K	83.1	>100,000

Photometric Data for a 2x4 fixture with three rows (Full Output)

Lumens	Input Watts	Lumens / Watt	CCT	CRI	LED Life
22250	175.5 watts	127	3896K	83.4	>100,000

Coefficients of Utilization - Zonal Cavity Method (SS-LED 2x4)

Effective Floor Cavity Reflectance: 20%

RCC %:	80				70				50			30			10			0
RW %:	70	50	30	0	70	50	30	0	50	30	20	50	30	20	50	30	20	0
RCC: 0	1.19	1.19	1.19	1.19	1.16	1.16	1.16	1.00	1.11	1.11	1.11	1.06	1.06	1.06	1.02	1.02	1.02	1.00
1	1.10	1.05	1.01	.98	1.07	1.03	.99	.86	.99	.96	.93	.95	.92	.90	.91	.89	.88	.86
2	1.00	.92	.86	.80	.97	.90	.84	.73	.87	.82	.78	.84	.79	.76	.81	.77	.74	.72
3	.91	.81	.73	.67	.89	.80	.72	.63	.77	.71	.65	.74	.69	.64	.72	.67	.63	.61
4	.84	.72	.64	.57	.82	.71	.63	.54	.69	.62	.56	.66	.60	.55	.64	.59	.55	.53
5	.77	.65	.56	.50	.75	.64	.55	.48	.62	.54	.49	.60	.53	.48	.58	.52	.48	.46
6	.71	.58	.50	.43	.70	.58	.49	.42	.56	.48	.43	.54	.48	.43	.53	.47	.42	.40
7	.66	.53	.45	.39	.65	.52	.44	.37	.51	.43	.38	.49	.43	.38	.48	.42	.38	.36
8	.62	.49	.40	.34	.60	.48	.40	.34	.47	.39	.34	.45	.39	.34	.44	.38	.34	.32
9	.58	.45	.37	.31	.56	.44	.36	.30	.43	.36	.31	.42	.35	.31	.41	.35	.31	.29
10	.54	.41	.33	.28	.53	.41	.33	.28	.40	.33	.28	.39	.32	.28	.38	.32	.28	.26

SS-LED - Polar Candela Distribution (SS-LED 2x4)

