

The SH series is designed for wall mount direct / indirect cell lighting in medium, maximum and super max security detention facilities. Anti-ligature for patient safety

Mounting

Surface mounts to wall.

Clamshell Housing

One piece, die-formed cold rolled steel with seams welded and ground smooth, 14 gauge lens retainers and a full length, welded pin piano hinge. Stainless steel available.

Back Plate

16 gauge die-formed cold rolled steel with embossed mounting holes to create a contraband drop slot / irretrievable blade trap. Stainless steel available.

Internal Lens

Optic Plus lens (standard) completely hides diode image while providing greater than 90% light transmission.

Finish

Polyester powder-coated after phosphate pretreatment for superior adhesion and corrosion resistance. Brushed stainless steel available.

Hardware

Recessed, stainless steel, tamper-proof fasteners.

Driver

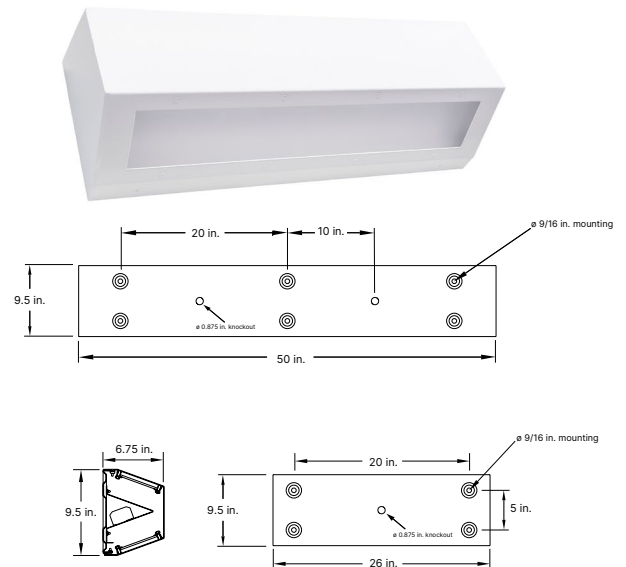
0-10Vdc dimming, Range 1%-100%, Factory programmable -40C Min. starting temperature, >0.9 PF, <20% THD

Wiring

Driver provided with pre-wired 3-wire self-aligning input power quick disconnect and 2-wire quick disconnect to LED module.

Certifications

UL Listed damp or wet location. IP34 rated. Covered ceilings only.



one	two	three	four	five	six	seven	eight	nine	ten	eleven	twelve	thirteen	fourteen	fifteen	sixteen
SH	-	/	-	/	-	-	-	-	DM	-	/	-	-	-	-

<p>one Luminaire Size</p> <p>2 2 ft fixture</p> <p>4 4 ft fixture</p> <p>two Uplight LED Source*</p> <p>Refer to the LED Source Table on Page 2 for available options.</p> <p>00 No uplight</p> <p>three Downlight LED Source*</p> <p>Refer to the LED Source Table on Page 2 for available options.</p> <p>00 No downlight</p> <p>four Color Temperature</p> <p>30 3000K</p> <p>35 3500K</p> <p>40 4000K</p> <p>50 5000K</p> <p>five CRI</p> <p>80 80 CRI</p> <p>90 90 CRI</p> <p>six Housing Gauge</p> <p>N 18 gauge, minimum security</p> <p>D 16 gauge, medium security</p> <p>X 14 gauge, maximum security</p> <p>U 12 gauge, super max, <u>CRS only</u></p>	<p>seven Housing Material</p> <p>C Cold rolled steel</p> <p>S Stainless steel</p> <p>eight Finish</p> <p>R 304 Brushed stainless steel</p> <p>W White</p> <p>nine Voltage</p> <p>VAR Variable, 120-277 V, 50/60Hz</p> <p>347 347VAC, 60Hz</p> <p>ten Driver</p> <p>DM 0-10Vdc Dimming, <u>standard</u></p> <p>eleven Internal Lens</p> <p>122 Optic Plus LED diffusing acrylic, <u>standard</u></p> <p>130 .125 in. LED diffusing Lexan</p> <p>53 .125 in. K12 prismatic acrylic</p> <p>12 .125 in K12 prismatic polycarbonate</p> <p>15 .156 in. K12 prismatic polycarbonate</p> <p>16 .187 in. K12 prismatic polycarbonate</p> <p>twelve External Lens</p> <p>30 .187 in. clear polycarbonate</p> <p>32 .250 in. clear polycarbonate</p> <p>36 .375 in. clear polycarbonate</p> <p>38 .500 in. clear polycarbonate</p> <p>90 .187 in. clear tempered glass</p> <p>92 .250 in. clear tempered glass</p> <p>96 .375 in. clear tempered glass</p>	<p>thirteen Door Fasteners</p> <p>AP Stainless steel allen head with pin</p> <p>TP Stainless steel torx head with pin</p> <p>PH Phillips, non-security</p> <p>fourteen Electrical Access</p> <p>A 2.250 in. diameter access hole</p> <p>K 0.875 in. diameter knockout(s), <u>standard</u></p> <p>fifteen UL Listing</p> <p>D Damp Location</p> <p>W Wet Location</p> <p>sixteen Options</p> <p>2C Two-circuit wired*</p> <p>CU Canadian UL Listing</p> <p>EM Emergency battery backup</p> <p>FH Fuse and holder</p> <p>GFCI Duplex GFCI receptacle (L or R)</p> <p>IMS Integral Occ Sensor</p> <p>NL-LED Night light, LED (Amber available) <u>5-100% Adjustability</u></p> <p>SBP Stainless steel backplate</p> <p>PS Security push on/off switch</p> <p>*Two-circuit wired required for independant output values.</p>
---	--	--

Modifications are available to meet custom requirements. Specifications and dimensions are subject to change without notice.

		3000K		3500K		4000K		5000K		
LED Source (Box 2)		Delivered Lumens	L/W	Delivered Lumens	L/W	Delivered Lumens	L/W	Delivered Lumens	L/W	Input Watts
2' Fixture Up Light or Down Light										
1W15		1527	89	1550	91	1596	93	1641	96	17.1
1W25		2516	88	2554	89	2629	92	2704	94	28.7
2W40		3760	95	3816	96	3929	99	4041	102	39.6
4' Fixture Up Light or Down Light										
1W17		1650	99	1674	100	1724	103	1773	106	16.7
1W30		2835	101	2877	103	2962	106	3046	109	28.0
1W40		3971	100	4030	102	4148	105	4267	108	39.6
1W55		5314	97	5394	98	5552	101	5711	104	54.8
2W65		6451	101	6547	103	6740	106	6932	109	63.7
2W80		7941	100	8060	102	8297	105	8534	108	79.3

Delivered lumen output calculated using 122 inner lens and 32 (.250" Clear Polycarbonate) outer lens (Highlighted below).

Lens Multiplier - Use the multipliers below to adjust the delivered lumens										
Internal Lens					External Lens					
53	.125 in. K12 prismatic acrylic			1.00	30	.187" Clear polycarbonate			1.02	
12	.125 in K12 prismatic polycarbonate			.98	32	.250" Clear Polycarbonate			1.00	
15	.156 in. K12 prismatic polycarbonate			.97	36	.375" Clear polycarbonate			.96	
16	.187 in. K12 prismatic polycarbonate			.95	38	.500" Clear polycarbonate			.92	
122	Optic Plus diffusing acrylic			1.00	90	.187" Clear tempered glass			1.04	
90 CRI Multiplier		.83			92	.250" Clear tempered glass			1.03	
					96	.375" Clear tempered glass			.99	

Specified Output Option

L.C. Doane programmable drivers allows us to deliver a specific lumen output. If none of the options in the chart above fit your application, let us know the desired lumen output and we will do the rest. See the example how this will be specified.

Example Model:

SH2-XX/XX¹SO-40/80-DCW-VARDM-122/32-TPKD-(XX²/LUMENS)

LUMENS = You provide the lumens.

XX¹ = We will determine the number of rows.

XX² = We will provide the wattage information.