



SG-LED

Correctional Surface Mount LED Corner or Wall

PRODUCT SPECIFICATION

The SG series is designed for use in all levels of correctional facilities and high abuse applications.

Mounting

Surface mounts to corner or wall.

Housing

Die-formed cold rolled steel with seams welded and ground smooth. Stainless steel available.

Door

One piece, die-formed cold rolled steel door with 14 gauge lens retainers and a full length welded pin piano hinge. Stainless steel available.

Internal Lens

Optic Plus lens (standard) completely hides diode image while providing greater than 90% light transmission.

Finish

Polyester powder-coated after phosphate pretreatment for superior adhesion and corrosion resistance. 304 Brushed stainless steel available.

Hardware

Recessed, stainless steel, tamper-proof fasteners.

Driver

0-10Vdc 1% dimming, >0.9 PF, <20% THD
Factory programmable, Operating temp -40°C Min. to 50°C Max

Wiring

Driver provided with pre-wired 3-wire self-aligning input power quick disconnect and 2-wire quick disconnect to LED module.

Certifications

UL Listed damp or wet location. IP54 rated. Covered ceilings only.

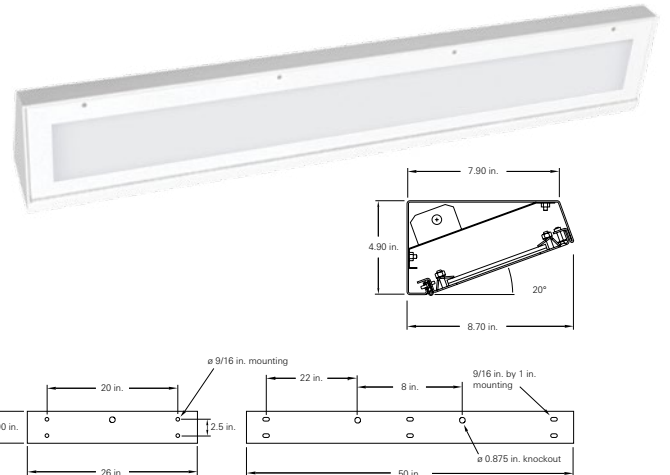


Job Name _____

Fixture Type _____

Catalog No. _____

Approval _____ Date _____



one two three four five six seven eight nine ten eleven twelve thirteen fourteen fifteen sixteen

SG - / - DM - / - K -

one Luminaire Size

- 2 2 ft fixture
- 4 4 ft fixture

two LED Source

Refer to the LED Source Table on Page 2 for available options.

three Color Temperature

- 30 3000K
- 35 3500K
- 40 4000K
- 50 5000K

four CRI

- 80 80 CRI
- 90 90 CRI

five Material Gauge

- N 18 gauge, minimum security
- D 16 gauge, medium security
- X 14 gauge, maximum security

six Material

- C Cold rolled steel
- S Stainless steel

seven Finish

- R 304 Brushed stainless steel
- W White

eight Voltage

- VAR Variable, 120-277 V, 50/60Hz
- 347 347VAC, 60Hz

nine Driver

- DM 0-10Vdc Dimming, standard

ten Internal Lens

- 122 Optic Plus LED diffusing acrylic, std
- 130 .125 in. LED diffusing Lexan
- 53 .125 in. K12 prismatic acrylic
- 12 .125 in K12 prismatic polycarbonate
- 15 .156 in. K12 prismatic polycarbonate
- 16 .187 in. K12 prismatic polycarbonate

eleven External Lens

- 30 .187 in. clear polycarbonate
- 32 .250 in. clear polycarbonate
- 36 .375 in. clear polycarbonate
- 38 .500 in. clear polycarbonate
- 90 .187 in. clear tempered glass
- 92 .250 in. clear tempered glass
- 96 .375 in. clear tempered glass

twelve Door Fasteners

- AP Stainless steel allen head with pin
- TP Stainless steel torx head with pin
- PH Phillips head, non-security

thirteen Mounting Holes

- D Ceiling and wall mounting holes
- W Wall mounting holes only

fourteen Electrical Access

- K 0.875 in. diameter knockout(s), std

fifteen UL Listing

- D Damp Location
- W Wet Location

sixteen Options

- SO Specified output*
- 2C Two-circuit wired
- CU Canadian UL Listing
- EM Emergency battery backup
- FH Fuse and holder
- NL-LED Night light, LED (Amber available)
5-100% Adjustability
- IMS Integral Occ Sensor
- PS Security push on/off switch

* Indicated as SO(xx/xxxx). Specified output, Input watts / delivered lumens to be determined based on specified requirements

Modifications are available to meet custom requirements. Specifications and dimensions are subject to change without notice.

		CRI		LED Life					
		>80		>100,000					
LED Source (Box 2)	3000K		3500K		4000K		5000K		Input Watts
	Delivered Lumens	L/W	Delivered Lumens	L/W	Delivered Lumens	L/W	Delivered Lumens	L/W	
2' Fixture									
1W23	2250	104	2284	106	2351	109	2418	112	21.6
2W43	4137	106	4199	107	4323	110	4446	114	39.1
2W58	5538	100	5620	101	5786	104	5951	107	55.4
4' Fixture									
1W24	2339	112	2374	113	2444	117	2514	120	20.9
1W43	4137	106	4199	107	4323	110	4446	114	39.1
1W58	5538	100	5620	101	5786	104	5951	107	55.4
2W86	8275	106	8398	107	8646	110	8893	114	78.3
2W101	9710	103	9855	104	10145	107	10435	110	94.5
2W115	11075	100	11241	101	11572	104	11903	107	110.8

Delivered lumen output calculated using 122 inner lens and 32 (.250" Clear Polycarbonate) outer lens (Highlighted below).

Lens Multiplier - Use the multipliers below to adjust the delivered lumens									
Internal Lens					External Lens				
53	.125 in. K12 prismatic acrylic			1.00	30	.187" Clear polycarbonate			1.02
12	.125 in K12 prismatic polycarbonate			.98	32	.250" Clear Polycarbonate			1.00
15	.156 in. K12 prismatic polycarbonate			.97	36	.375" Clear polycarbonate			.96
16	.187 in. K12 prismatic polycarbonate			.95	38	.500" Clear polycarbonate			.92
122	Optic Plus diffusing acrylic			1.00	90	.187" Clear tempered glass			1.04
90 CRI Multiplier		.83			92	.250" Clear tempered glass			1.03
					96	.375" Clear tempered glass			.99

Specified Output Option

L.C. Doane programmable drivers allows us to deliver a specific lumen output. If none of the options in the chart above fit your application, let us know the desired lumen output and we will do the rest. See the example how this will be specified.

Example Model:

SG2-XX/XX¹SO-40/80-DCW-VARDM-122/32-TPDKD-(XX²/LUMENS)

LUMENS = You provide the lumens.

XX¹ = We will determine the number of rows.

XX² = We will provide the wattage information.