



SG-LED

Security Surface Mount **LED** Corner or Wall

PRODUCT SPECIFICATION

The SG series is designed for use in all levels of security facilities and high abuse applications.

Mounting

Surface mounts to corner or wall.

Housing

Die-formed cold rolled steel with seams welded and ground smooth. Stainless steel available.

Door

One piece, die-formed cold rolled steel door with 14 gauge lens retainers and a full length welded pin piano hinge. Stainless steel available.

Internal Lens

Optic Plus lens (standard) completely hides diode image while providing minimum 95% light transmission.

Finish

Polyester powder-coated after phosphate pretreatment for superior adhesion and corrosion resistance. Brushed stainless steel available.

Hardware

Recessed, stainless steel, tamper-proof fasteners.

Driver

0-10Vdc dimming, Range 1%-100%
-40°C Min. starting temperature, >0.9 PF, <20% THD.

Wiring

Driver provided with pre-wired 3-wire self-aligning input power quick disconnect and 2-wire quick disconnect to LED module.

Certifications

UL Listed damp or wet location. IP65 rated.
Covered ceilings only.

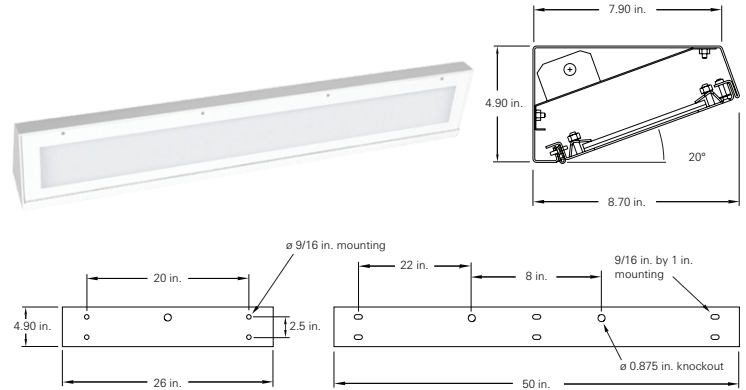
Job Name _____

Fixture Type _____

Catalog No. _____

Approval _____

Date _____



SG	one	two	three	four	five	six	seven	eight	nine	ten	eleven	twelve	thirteen	fourteen	fifteen
----	-----	-----	-------	------	------	-----	-------	-------	------	-----	--------	--------	----------	----------	---------

one	Luminaire Size	seven	Voltage	twelve	Mounting Holes
2	2 ft fixture	120	120 V, 60 Hz	D	Ceiling and wall mounting holes
4	4 ft fixture	277	277 V, 60 Hz	W	Wall mounting holes only
two	LED Rows	VAR	Variable, 120-277 V, 50/60Hz	thirteen	Electrical Access
1L	One	eight	Driver	K	0.875 in. diameter knockout(s), <u>std</u>
2L	Two	DM	0-10Vdc Dimming, <u>standard</u>	fourteen	UL Listing
three	Color Temperature	nine	Internal Lens	D	Damp Location
30	3000K	122	Optic Plus LED diffusing acrylic lens, <u>std</u>	W	Wet Location
35	3500K	53	.125 in. K12 prismatic acrylic	fifteen	Options
40	4000K	12	.125 in K12 prismatic polycarbonate	SO	Specified output*
50	5000K	15	.156 in. K12 prismatic polycarbonate	2C	Two-circuit wired
four	Material Gauge	16	.187 in. K12 prismatic polycarbonate	CU	Canadian UL Listing
N	18 gauge, minimum security	75	.156 in. C73 prismatic tempered glass	EM	Emergency battery backup
D	16 gauge, medium security	ten	External Lens	FH	Fuse and holder
X	14 gauge, maximum security	30	.187 in. clear polycarbonate	NL-LED	Night light, LED (Amber available) <i>5-100% Adjustability</i>
five	Material	32	.250 in. clear polycarbonate	IMS	Integral Occ Sensor
C	Cold rolled steel	36	.375 in. clear polycarbonate	PS	Security push on/off switch
S	Stainless steel	38	.500 in. clear polycarbonate		
six	Finish	90	.187 in. clear tempered glass		
R	Brushed stainless steel	92	.250 in. clear tempered glass		
W	White	96	.375 in. clear tempered glass		
		eleven	Door Fasteners		
		AP	Stainless steel allen head with pin		
		TP	Stainless steel torx head with pin		
		PH	Phillips head, non-security		

* Indicated as SO(xx/xxxx). Specified output, Input watts / delivered lumens to be determined based on specified requirements

Modifications are available to meet custom requirements. Specifications and dimensions are subject to change without notice.