



SCB-LED

Security **LED** Surface Mount Corner

PRODUCT SPECIFICATION

The SCB series is designed for use in all levels of security facilities, behavioral health units, and high abuse applications. Anti-ligature for patient safety.

Mounting

Die-formed cold rolled steel with seams welded and ground smooth. Stainless steel available.

Door

One piece, die-formed cold rolled steel door with 14 gauge lens retainers and a full length welded pin piano hinge. Stainless steel available.

Internal Lens

Optic Plus lens (standard) completely hides diode image while providing minimum 95% light transmission.

Finish

Polyester powder-coated after phosphate pretreatment for superior adhesion and corrosion resistance. Brushed stainless steel available.

Hardware

Recessed, stainless steel, tamper-proof fasteners.

Driver

0-10Vdc dimming, Range 1%-100%
-40°C Min. starting temperature, >0.9 PF, <20% THD.

Wiring

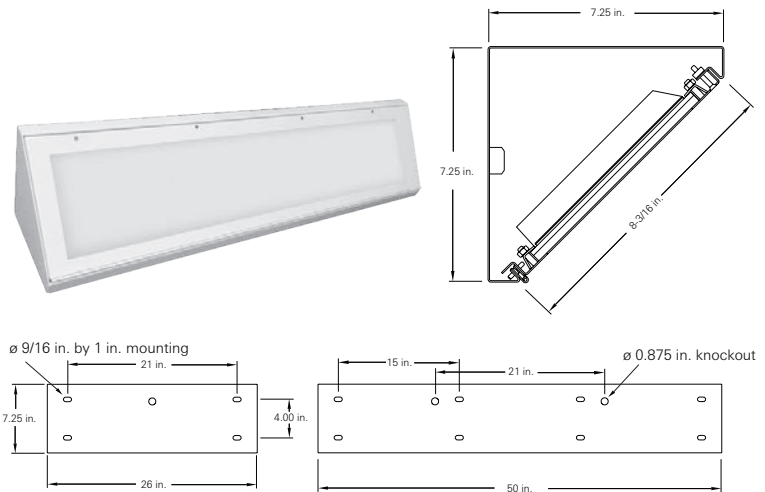
Driver provided with pre-wired 3-wire self-aligning input power quick disconnect and 2-wire quick disconnect to LED module.

Job Name _____

Fixture Type _____

Catalog No. _____

Approval _____ Date _____



Certifications

UL Listed damp or wet location. IP65 rated. Covered ceilings only.



SCB one - two - three - four - five - six - seven - eight - nine / ten - eleven - twelve - thirteen - fourteen - fifteen

one	Luminaire Size	seven	Voltage	twelve	Mounting Holes
2	2 ft fixture	120	120 V, 60 Hz	D	Ceiling and wall mounting holes
4	4 ft fixture	277	277 V, 60 Hz	W	Wall mounting holes only
two	LED Rows	VAR	Variable, 120-277 V, 50/60Hz	thirteen	Electrical Access
1L	One	eight	Driver	A	2.250 in. diameter access hole
2L	Two	DM	0-10Vdc Dimming, <u>standard</u>	K	0.875 in. diameter knockout(s), <u>std</u>
three	Color Temperature	nine	Internal Lens	fourteen	UL Listing
30	3000K	122	Optic Plus LED diffusing acrylic lens, <u>std</u>	D	Damp Location
35	3500K	53	.125 in. K12 prismatic acrylic	W	Wet Location
40	4000K	12	.125 in K12 prismatic polycarbonate	fifteen	Options
50	5000K	15	.156 in. K12 prismatic polycarbonate	SO	Specified output*
four	Material Gauge	16	.187 in. K12 prismatic polycarbonate	2C	Two-circuit wired
N	18 gauge, minimum security	75	.156 in. C73 prismatic tempered glass	CU	Canadian UL Listing
D	16 gauge, medium security	ten	External Lens	EM	Emergency battery backup
X	14 gauge, maximum security	30	.187 in. clear polycarbonate	FH	Fuse and holder
five	Material	32	.250 in. clear polycarbonate	NL-LED	Night light, LED (Amber available) <i>5-100% Adjustability</i>
C	Cold rolled steel	36	.375 in. clear polycarbonate	IMS	Integral Occ Sensor
S	Stainless steel	38	.500 in. clear polycarbonate	PS	Security push on/off switch
six	Finish	90	.187 in. clear tempered glass		
R	Brushed stainless steel	92	.250 in. clear tempered glass		
W	White	96	.375 in. clear tempered glass		
		eleven	Door Fasteners		
		AP	Stainless steel allen head with pin		
		TP	Stainless steel torx head with pin		
		PH	Phillips head, non-security		

* Indicated as SO(xx/xxxx). Specified output, Input watts / delivered lumens to be determined based on specified requirements.

Modifications are available to meet custom requirements. Specifications and dimensions are subject to change without notice.