



PRODUCT SPECIFICATION

The SCA series is designed for use in all levels of security facilities, behavioral health units, and high abuse applications. Anti-ligature for patient safety.

Mounting

Surface-mounts to corners.

Housing

Die-formed cold rolled steel with seams welded and ground smooth. Stainless steel available.

Door

One piece, die-formed cold rolled steel door with 14 gauge lens retainers and a full length welded pin piano hinge. Stainless steel available.

Internal Lens

Optic Plus lens (standard) completely hides diode image while providing minimum 95% light transmission.

Finish

Polyester powder-coated after phosphate pretreatment for superior adhesion and corrosion resistance. Brushed stainless steel available.

Hardware

Recessed, stainless steel, tamper-proof fasteners.

Driver

0-10Vdc dimming, Range 1%-100%
-40°C Min. starting temperature, >0.9 PF, <20% THD.

Wiring

Driver provided with pre-wired 3-wire self-aligning input power quick disconnect and 2-wire quick disconnect to LED module.

Certifications

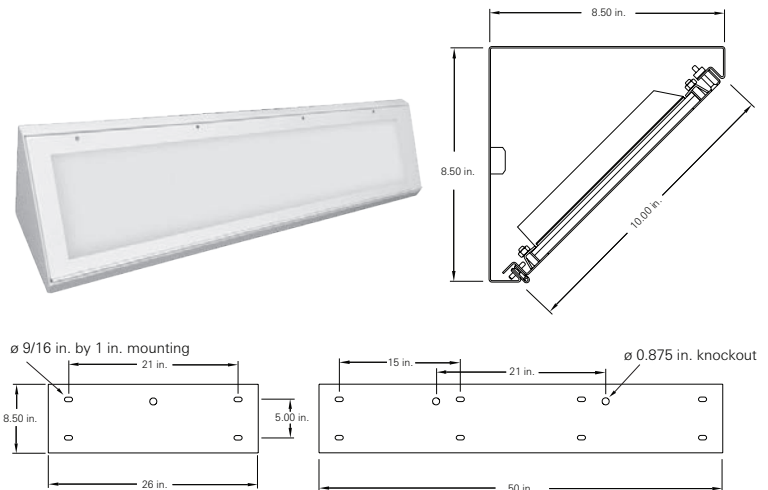
UL Listed damp or wet location. IP54 rated. Covered ceilings only.

Job Name _____

Fixture Type _____

Catalog No. _____

Approval _____ Date _____



SCA - - / -

| | | | | | |
|--------------|----------------------------|---------------|---|-----------------|--|
| one | Luminaire Size | seven | Voltage | twelve | Mounting Holes |
| 2 | 2 ft fixture | 120 | 120 V, 60 Hz | D | Ceiling and wall mounting holes |
| 4 | 4 ft fixture | 277 | 277 V, 60 Hz | W | Wall mounting holes only |
| | | VAR | Variable, 120-277 V, 50/60Hz | | |
| two | LED Rows | eight | Driver | thirteen | Electrical Access |
| 1L | One | DM | 0-10Vdc Dimming, <u>standard</u> | A | 2.250 in. diameter access hole |
| 2L | Two | | | K | 0.875 in. diameter knockout(s), <u>std</u> |
| 3L | Three | | | | |
| three | Color Temperature | nine | Internal Lens | fourteen | UL Listing |
| 30 | 3000K | 122 | Optic Plus LED diffusing acrylic lens, <u>std</u> | D | Damp Location |
| 35 | 3500K | 53 | .125 in. K12 prismatic acrylic | W | Wet Location |
| 40 | 4000K | 12 | .125 in K12 prismatic polycarbonate | | |
| 50 | 5000K | 15 | .156 in. K12 prismatic polycarbonate | fifteen | Options |
| | | 16 | .187 in. K12 prismatic polycarbonate | SO | Specified output* |
| four | Material Gauge | 75 | .156 in. C73 prismatic tempered glass | 2C | Two-circuit wired |
| N | 18 gauge, minimum security | ten | External Lens | CU | Canadian UL Listing |
| D | 16 gauge, medium security | 30 | .187 in. clear polycarbonate | EM | Emergency battery backup |
| X | 14 gauge, maximum security | 32 | .250 in. clear polycarbonate | FH | Fuse and holder |
| five | Material | 36 | .375 in. clear polycarbonate | NL-LED | Night light, LED (Amber available) |
| C | Cold rolled steel | 38 | .500 in. clear polycarbonate | | <i>5-100% Adjustability</i> |
| S | Stainless steel | 90 | .187 in. clear tempered glass | IMS | Integral Occ Sensor |
| six | Finish | 92 | .250 in. clear tempered glass | PS | Security push on/off switch |
| R | Brushed stainless steel | 96 | .375 in. clear tempered glass | | |
| W | White | eleven | Door Fasteners | | |
| | | AP | Stainless steel allen head with pin | | |
| | | TP | Stainless steel torx head with pin | | |
| | | PH | Phillips head, non-security | | |

* Indicated as SO(xx/xxxx). Specified output, Input watts / delivered lumens to be determined based on specified requirements.

Modifications are available to meet custom requirements. Specifications and dimensions are subject to change without notice.