



# SC-LED

Security Surface Mount **LED** Corner

## PRODUCT SPECIFICATION

The SC series is designed for use in all levels of security facilities, behavioral health units, and high abuse applications. Anti-ligature for patient safety.

### Mounting

Surface mounts to corner.

### Housing

Die-formed cold rolled steel with seams welded and ground smooth. Stainless steel available.

### Door

Outfitted with adjustable heavy gauge lens retainers.

### Internal Lens

Optic Plus lens (standard) completely hides diode image while providing minimum 95% light transmission.

### Finish

Polyester powder-coated after phosphate pretreatment for superior adhesion and corrosion resistance. Brushed stainless steel available.

### Hardware

One piece, die-formed cold rolled steel door with 14 gauge lens retainers and a full length welded pin piano hinge. Stainless steel available.

### Driver

0-10Vdc dimming, Range 1%-100%  
-40°C Min. starting temperature, >0.9 PF, <20% THD.

### Wiring

Driver provided with pre-wired 3-wire self-aligning input power quick disconnect and 2-wire quick disconnect to LED module.

### Certifications

UL Listed damp or wet location. IP54 rated. Covered ceilings only.

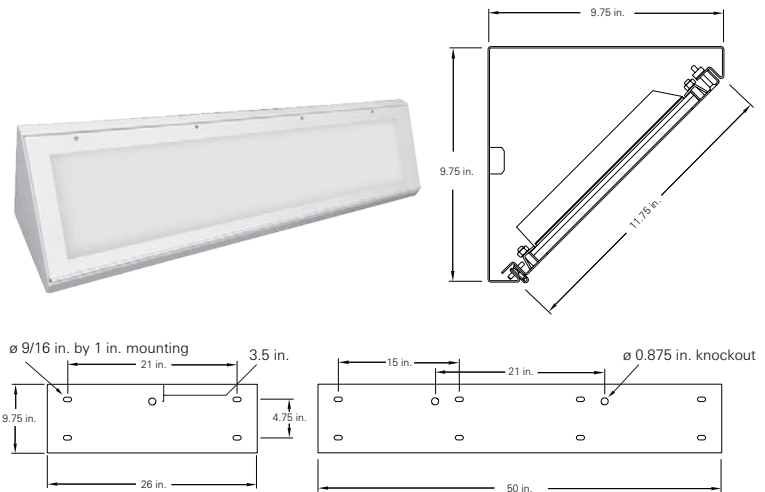
Job Name \_\_\_\_\_

Fixture Type \_\_\_\_\_

Catalog No. \_\_\_\_\_

Approval \_\_\_\_\_

Date \_\_\_\_\_



SC	one	two	three	four	five	six	seven	eight	nine	ten	eleven	twelve	thirteen	fourteen	fifteen
----	-----	-----	-------	------	------	-----	-------	-------	------	-----	--------	--------	----------	----------	---------

<b>one</b>	<b>Luminaire Size</b>	<b>seven</b>	<b>Voltage</b>	<b>twelve</b>	<b>Mounting holes</b>
2	2 ft fixture	120	120 V, 60 Hz	D	Ceiling and wall mounting holes
4	4 ft fixture	277	277 V, 60 Hz	W	Wall mounting holes only
<b>two</b>	<b>LED Rows</b>	VAR	Variable, 120-277 V, 50/60Hz	<b>thirteen</b>	<b>Electrical access</b>
1L	One	<b>eight</b>	<b>Driver</b>	A	2.250 in. diameter access hole
2L	Two	DM	0-10Vdc Dimming, <u>standard</u>	K	0.875 in. diameter knockout(s), <u>std</u>
3L	Three	<b>nine</b>	<b>Internal Lens</b>	<b>fourteen</b>	<b>UL Listing</b>
<b>three</b>	<b>Color Temperature</b>	122	Optic Plus LED diffusing acrylic lens, <u>std</u>	D	Damp Location
30	3000K	53	.125 in. K12 prismatic acrylic	W	Wet Location
35	3500K	12	.125 in K12 prismatic polycarbonate	<b>fifteen</b>	<b>Options</b>
40	4000K	15	.156 in. K12 prismatic polycarbonate	SO	Specified output*
50	5000K	16	.187 in. K12 prismatic polycarbonate	2C	Two-circuit wired
<b>four</b>	<b>Material gauge</b>	75	.156 in. C73 prismatic tempered glass	CU	Canadian UL Listing
N	18 gauge, minimum security	<b>ten</b>	<b>External lens</b>	EM	Emergency battery backup
D	16 gauge, medium security	30	.187 in. clear polycarbonate	FH	Fuse and holder
X	14 gauge, maximum security	32	.250 in. clear polycarbonate	NL-LED	Night light, LED (Amber available) <i>5-100% Adjustability</i>
<b>five</b>	<b>Material</b>	36	.375 in. clear polycarbonate	IMS	Integral Occ Sensor
C	Cold rolled steel	38	.500 in. clear polycarbonate	PS	Security push on/off switch
S	Stainless steel	90	.187 in. clear tempered glass		
<b>six</b>	<b>Finish</b>	92	.250 in. clear tempered glass		
R	Brushed stainless steel	96	.375 in. clear tempered glass		
W	White	<b>eleven</b>	<b>Door fasteners</b>		
		AP	Stainless steel allen head with pin		
		TP	Stainless steel torx head with pin		
		PH	Phillips head, non-security		

\* Indicated as SO(xx/xxxx). Specified output, Input watts / delivered lumens to be determined based on specified requirements.

Modifications are available to meet custom requirements. Specifications and dimensions are subject to change without notice.