

Instructions for: SA, SH, SJ, SM, USX, TUST, TUSS Fixtures

IMPORTANT!

When using electrical equipment, basic safety precautions must be followed:

Service must be performed by qualified service personnel.

Do not use product for other than intended use.

Do not install this product near gas or electric heaters.

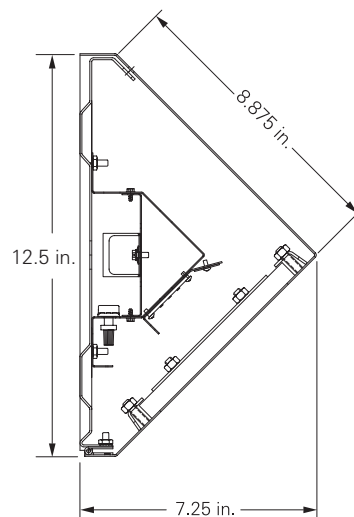
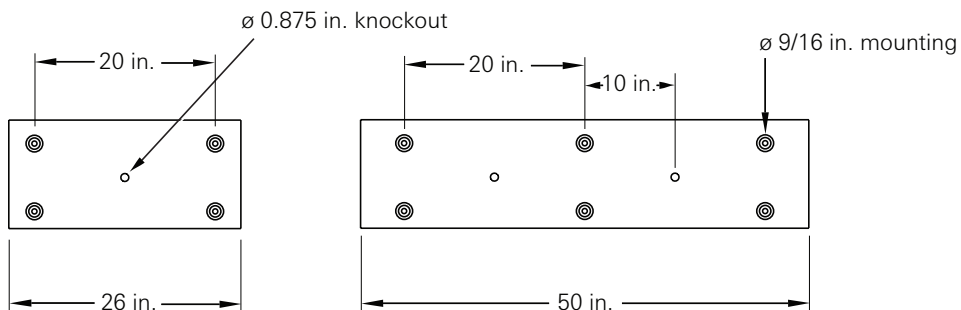
SA, SH, SJ, SM, USX, TUST Surface Mounted Installation Instructions

1. Prepare installation site in accordance with all applicable building codes.
2. Unfasten fixture closure screws and open fixture.
3. Disconnect all electrical connections to clamshell housing.
4. Remove wireway from backplate.
5. Punch out all wire access knockouts that will be used.
6. Mount fixture to installation site using all backplate mounting points.
7. Hang wireway from backplate such that electrical connections are accessible.
8. Wire fixture in accordance with NEC and local code requirements.
9. Pivot wireway closed and secure to backplate.
10. Reconnect all electrical connections to clamshell housing.
11. Close fixture and secure with closure screws.

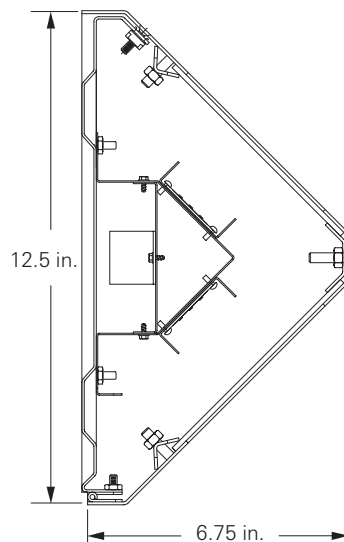
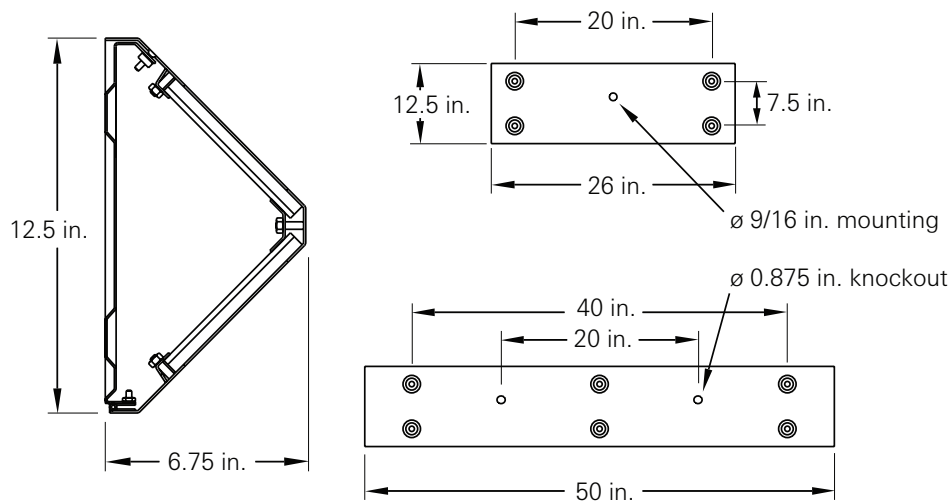
TUSS Surface Mounted Installation Instructions

1. Prepare installation site in accordance with all applicable building codes.
2. Unfasten fixture closure screws and open fixture.
3. Punch out all wire access knockouts that will be used.
4. Mount fixture to installation site using all backplate mounting points.
5. Wire fixture in accordance with NEC and local code requirements.
6. Close fixture and secure with closure screws.

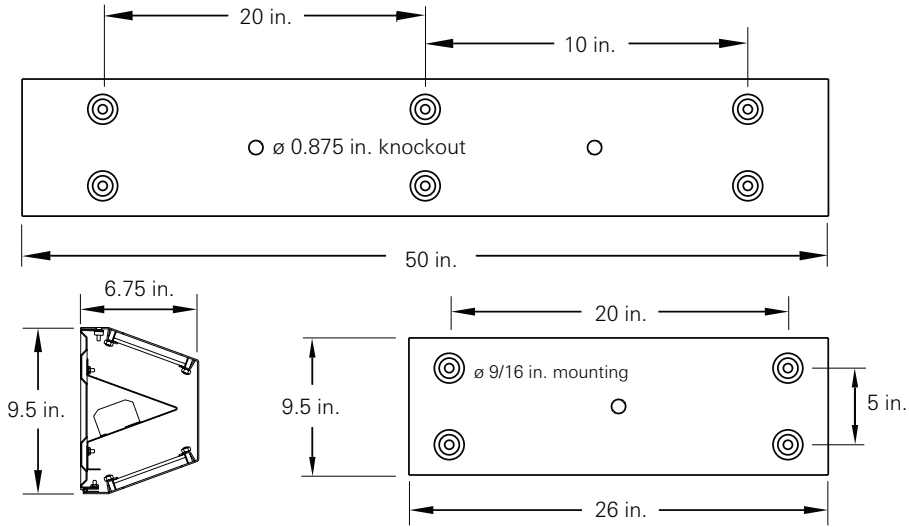
SA Installation



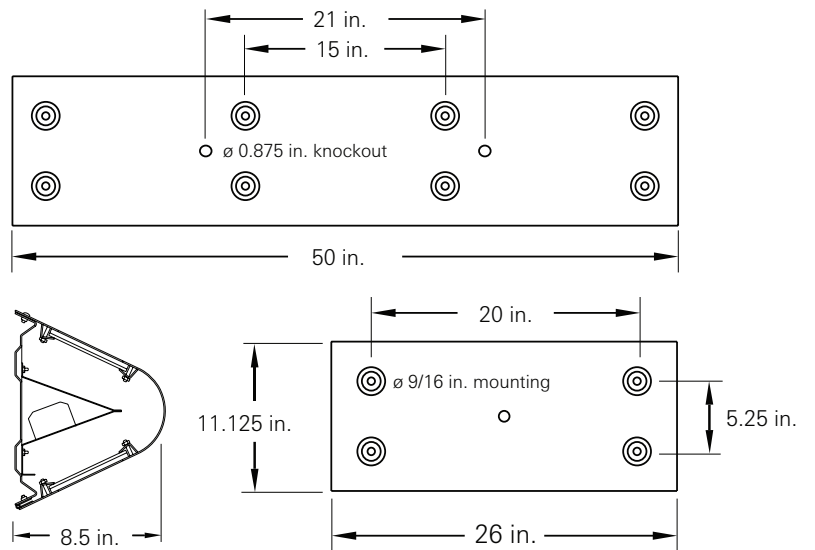
SM Installation



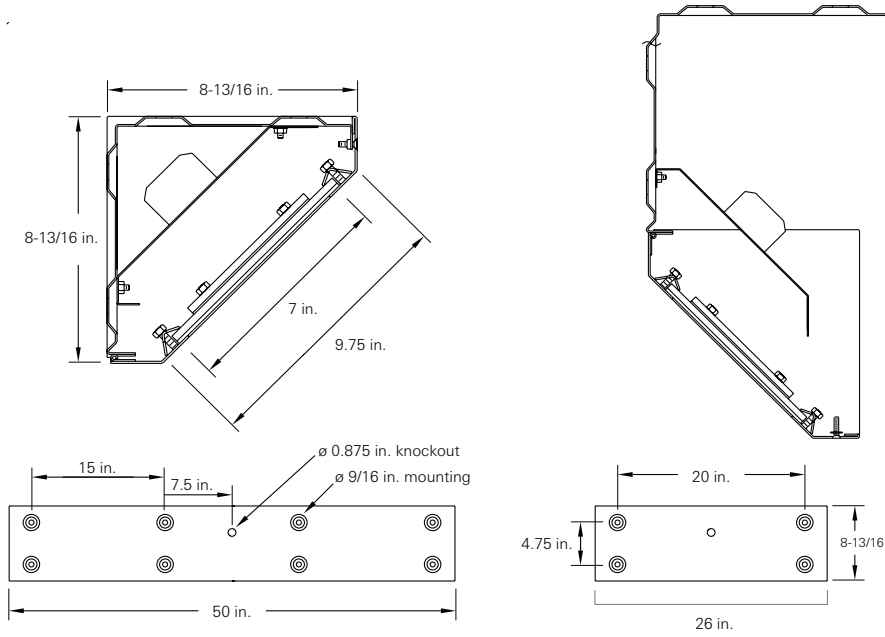
SH Installation



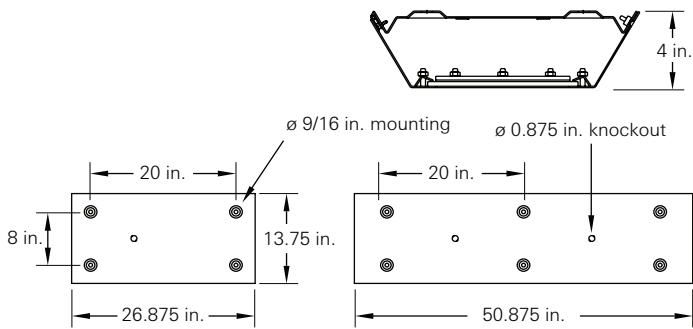
SJ Installation



USX Installation



TUST Installation



TUSS Installation

