



SA-LED

Correctional Maximum Security LED Surface Mount Wall

PRODUCT SPECIFICATION

The SA series is designed for wall mount cell lighting in medium, maximum and super max security detention facilities.

Mounting

Surface mounts to wall.

Clamshell Housing

One piece, die-formed cold rolled steel with seams welded and ground smooth, 14 gauge lens retainers and a full length, welded pin piano hinge. Stainless steel available.

Back Plate

16 gauge die-formed cold rolled steel with embossed mounting holes to create a contraband drop slot / irretrievable blade trap. Stainless steel available.

Internal Lens

Optic Plus lens (standard) completely hides diode image while providing greater than 90% light transmission.

Finish

Polyester powder-coated after phosphate pretreatment for superior adhesion and corrosion resistance. 304 Brushed stainless steel door available.

Hardware

Recessed, stainless steel, tamper-proof fasteners.

Driver

0-10Vdc 1% dimming, >0.9 PF, <20% THD
Factory programmable, Operating temp -40°C Min. to 50°C Max

Wiring

Access plate with two .875 in. diameter knockouts.
Driver provided with pre-wired 3-wire self-aligning input power quick disconnect and 2-wire quick disconnect to LED module.

Certifications

UL Listed damp or wet location. IP34 rated.
Covered ceilings only.

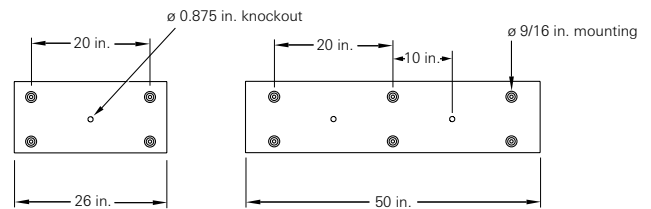
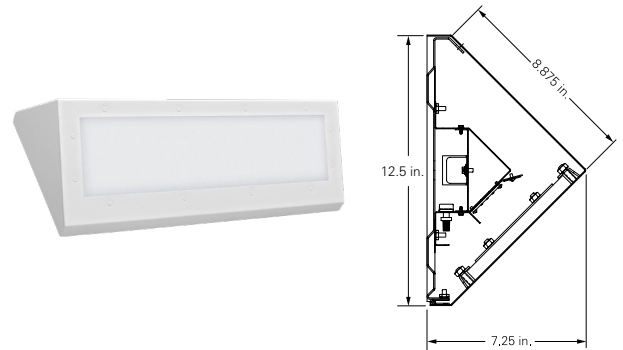


Job Name _____

Fixture Type _____

Catalog No. _____

Approval _____ Date _____



SA one two three four five six seven eight nine ten eleven twelve thirteen fourteen fifteen
- 1L / - - DM - / - -

one Luminaire Size

- 2 2 ft fixture
- 4 4 ft fixture

two LED Rows

- 1L One

three Color Temperature

- 30 3000K
- 35 3500K
- 40 4000K
- 50 5000K

four CRI

- 80 80 CRI
- 90 90 CRI

five Housing Gauge

- N 18 gauge, minimum security
- D 16 gauge, medium security
- X 14 gauge, maximum security
- U 12 gauge, super max, CRS only

six Housing Material

- C Cold rolled steel
- S Stainless steel

seven Finish

- R 304 Brushed stainless steel
- W White

eight Voltage

- VAR Variable, 120-277 V, 50/60Hz
- 347 347VAC, 60Hz

nine Driver

- DM 0-10Vdc Dimming, standard

ten Internal Lens

- 122 Optic Plus LED diffusing acrylic, std
- 130 .125 in. LED diffusing Lexan
- 53 .125 in. K12 prismatic acrylic
- 12 .125 in K12 prismatic polycarbonate
- 15 .156 in. K12 prismatic polycarbonate
- 16 .187 in. K12 prismatic polycarbonate

eleven External Lens

- 30 .187 in. clear polycarbonate
- 32 .250 in. clear polycarbonate
- 36 .375 in. clear polycarbonate
- 38 .500 in. clear polycarbonate
- 90 .187 in. clear tempered glass
- 92 .250 in. clear tempered glass
- 96 .375 in. clear tempered glass

twelve Door Fasteners

- AP Stainless steel allen head with pin
- TP Stainless steel torx head with pin
- PH Phillips head, non-security

thirteen Electrical Access

- A 2.250 in. diameter access hole
- K 0.875 in. diameter knockout(s) standard

fourteen UL Listing

- D Damp Location
- W Wet Location

fifteen Options

- SO Specified output*
- CU Canadian UL Listing
- EM Emergency battery backup
- FH Fuse and holder
- IMS Integral Occ Sensor
- NL-LED Night light, LED (Amber available)
5-100% Adjustability
- PS Security push on/off switch
- SBP Stainless steel backplate

* Indicated as SO(xx/xxxx). Specified output, Input watts / delivered lumens to be determined based on specified requirements.

Modifications are available to meet custom requirements.
Specifications and dimensions are subject to change without notice.