



PRODUCT SPECIFICATION

The SA series is designed for wall mount cell lighting in medium, maximum and super max security detention facilities.

Mounting

Surface mounts to wall.

Clamshell Housing

One piece, die-formed cold rolled steel with seams welded and ground smooth, 14 gauge lens retainers and a full length, welded pin piano hinge. Stainless steel available.

Back Plate

16 gauge die-formed cold rolled steel with embossed mounting holes to create a contraband drop slot / irretrievable blade trap.

Internal Lens

Optic Plus lens (standard) completely hides diode image while providing minimum 95% light transmission.

Finish

Polyester powder-coated after phosphate pretreatment for superior adhesion and corrosion resistance. Brushed stainless steel door available.

Hardware

Recessed, stainless steel, tamper-proof fasteners.

Driver

0-10Vdc dimming, Range 1%-100%
-40°C Min. starting temperature, >0.9 PF, <20% THD

Wiring

Access plate with two .875 in. diameter knockouts.
Driver provided with pre-wired 3-wire self-aligning input power quick disconnect and 2-wire quick disconnect to LED module.

Certifications

UL Listed damp or wet location. IP34 rated. Covered ceilings only.

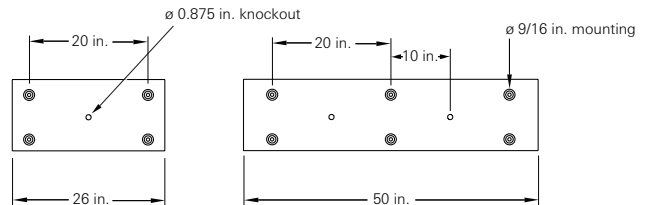
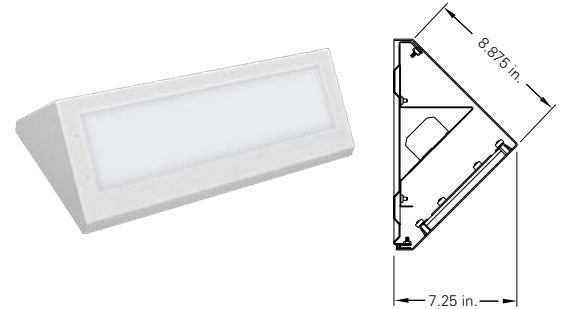
Job Name _____

Fixture Type _____

Catalog No. _____

Approval _____

Date _____



SA	one	two	three	four	five	six	seven	eight	nine	ten	eleven	twelve	thirteen	fourteen
----	-----	-----	-------	------	------	-----	-------	-------	------	-----	--------	--------	----------	----------

one	Luminaire Size	seven	Voltage	eleven	Door Fasteners
2	2 ft fixture	120	120 V, 60 Hz	AP	Stainless steel allen head with pin
4	4 ft fixture	277	277 V, 60 Hz	TP	Stainless steel torx head with pin
two	LED Rows	347	347 V, 60 Hz	PH	Phillips head, non-security
1L	One	VAR	Variable, 120-277 V, 50/60Hz	twelve	Electrical Access
2L	Two	eight	Driver	A	2.250 in. diameter access hole
three	Color Temperature	DM	0-10Vdc Dimming, <u>standard</u>	K	0.875 in. diameter knockout(s) <u>standard</u>
30	3000K	nine	Internal Lens	thirteen	UL Listing
35	3500K	122	Optic Plus LED diffusing acrylic lens, <u>std</u>	D	Damp Location
40	4000K	53	.125 in. K12 prismatic acrylic	W	Wet Location
50	5000K	12	.125 in K12 prismatic polycarbonate	fourteen	Options
four	Housing Gauge	15	.156 in. K12 prismatic polycarbonate	SO	Specified output*
N	18 gauge, minimum security	16	.187 in. K12 prismatic polycarbonate	2C	Two-circuit wired
D	16 gauge, medium security	75	.156 in. C73 prismatic tempered glass	CU	Canadian UL Listing
X	14 gauge, maximum security	ten	External Lens	EM	Emergency battery backup
U	12 gauge, super max, <u>CRS only</u>	30	.187 in. clear polycarbonate	FH	Fuse and holder
five	Housing Material	32	.250 in. clear polycarbonate	NL-LED	Night light, LED (Amber available) <i>5-100% Adjustability</i>
C	Cold rolled steel	36	.375 in. clear polycarbonate	IMS	Integral Occ Sensor
S	Stainless steel	38	.500 in. clear polycarbonate	PS	Security push on/off switch
six	Finish	90	.187 in. clear tempered glass		
R	Brushed stainless steel	92	.250 in. clear tempered glass		
W	White	96	.375 in. clear tempered glass		

* Indicated as SO(xx/xxxx). Specified output, Input watts / delivered lumens to be determined based on specified requirements.

Modifications are available to meet custom requirements. Specifications and dimensions are subject to change without notice.