



RXF1-LED NSF

NSF - Food Processing Cleanroom **LED** Recessed Flange

PRODUCT SPECIFICATION

Cleanrooms, laboratories, research facilities, food areas, natatoriums.

Mounting

Mounts recessed in metal pan or gypsum ceiling with universal mounting brackets.

Housing

18 gauge cold rolled steel die-formed to shape with seams welded, ground smooth, and caulked airtight. Aluminum and 304 stainless steel available.

Door

One-piece 18 gauge cold rolled steel, gasketed and sealed overlapping door. Freedom Hinge™ design permits removal and hinging from either side. Aluminum and 304 stainless steel available.

Internal Lens

Optic Plus lens (standard) completely hides diode image while providing greater than 90% light transmission.

Finish

Polyester powder-coated after phosphate pretreatment for superior adhesion and corrosion resistance. Brushed stainless steel available.

Hardware

Stainless steel Phillips head fasteners.

Driver

0-10Vdc 1% dimming, >0.9 PF, <20% THD
Factory programmable, Operating temp -40°C Min. to 50°C Max

Wiring

.875 in. diameter knockout. Driver provided with pre-wired 3-wire self-aligning input power quick disconnect and 2-wire quick disconnect to LED module.

Certifications

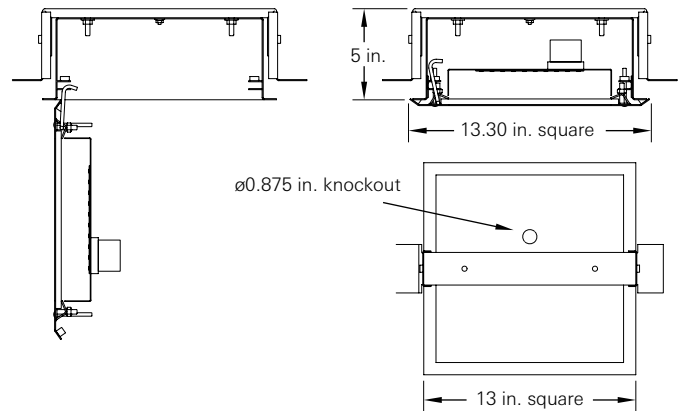
UL Listed wet location, IP66 rated, IC Rated.
Suitable for use in ISO-3 clean rooms (209E Class 1).
Suitable for use in Natatorium Environments.
USP 797 and USP 800 compliant.

Job Name _____

Fixture Type _____

Catalog No. _____

Approval _____ Date _____



one two three four five six seven eight nine ten eleven
RXF1 - - / - - VAR DM - / - NS -

- one LED Source**
Refer to the LED Source Table on Page 2 for available options.
- two Color Temperature**
30 3000K
35 3500K
40 4000K
50 5000K
- three CRI**
80 80 CRI
90 90 CRI
- four Door Material**
A Aluminum
C Cold rolled steel
S 304 Stainless steel
- five Finish**
R Brushed (Stainless steel only)
W White
- six Voltage**
VAR Variable, 120-277 V, 50/60Hz
- seven Driver**
DM 0-10Vdc Dimming, standard
- eight Internal Lens**
122 Optic Plus LED diffusing acrylic, standard
122R Optic Plus with RF grid
**Must be used with RF filter*
130 .125 in. LED diffusing Lexan
- nine External Lens**
00 No external lens
33 .125 in. clear polycarbonate
- ten NSF Listing**
NS NSF listing
- eleven Options**
AM Anti-microbial coating (exposed areas)
CP CCEA Chicago
CU Canadian UL Listing
E1 One lamp emergency ballast
FH Fuse and holder
RF Radio interference filter, one per circuit*
- Housing Material**
AH Aluminum
SH Stainless steel



Must use aluminum or stainless steel housing and doors for natatorium use.

Modifications are available to meet custom requirements. Specifications and dimensions are subject to change without notice.

CRI	LED Life
>80	>100,000

LED Source (Box 2)	3000K		3500K		4000K		5000K		Input Watts
	Delivered Lumens	L/W	Delivered Lumens	L/W	Delivered Lumens	L/W	Delivered Lumens	L/W	
1' x 1' Fixture									
1W19	1772	104	1799	106	1852	109	1905	112	17.0
1W25	2373	103	2409	105	2479	108	2550	111	23.0
1W31	2920	101	2964	102	3051	105	3138	108	29.0

Specified Output Option

LC Doane programmable drivers allows us to deliver a specific lumen output. If none of the options in the chart above fit your application, let us know the desired lumen output and we will do the rest. See the example how this will be specified:

Example Model:

RXF1-**1W**SO-40/80-CW-VARDM-122/00-NS-(**XX/LUMENS**)

LUMENS = You provide the lumens.

XX = We will provide the wattage information.

Photometric Data @ 80 CRI with 122 lens

33 lens multiplier	.86
90 CRI multiplier	.83