



RXC-LED

Cleanroom - low profile **LED** Ceiling surface or grid 1 in. T-grid ceiling

PRODUCT SPECIFICATION

Low profile - 2 in. above ceiling, 2.375 in. O.A. depth. Cleanrooms, laboratories, research facilities, kitchen areas, vivariums, natatoriums.

Mounting

Ceiling surface mount or recessed in 1 in. T-grid ceiling. Knockouts for earthquake cable supports provided.

Housing

18 gauge cold rolled steel die-formed to shape with seams welded, ground smooth, and caulked airtight. Aluminum and stainless steel available.

Door

One-piece 18 gauge cold rolled steel, gasketed and sealed overlapping door. Aircraft cables connect door to housing. Aluminum and stainless steel available.

Lens

Optic Plus lens (standard) completely hides diode image while providing minimum 95% light transmission.

Finish

Polyester powder-coated after phosphate pretreatment for superior adhesion and corrosion resistance. Brushed stainless steel available.

Hardware

Stainless steel fasteners.

Driver

0-10Vdc dimming, Range 1%-100%
-40°C Min. starting temperature, >0.9 PF, <20% THD

Wiring

Driver provided with pre-wired 3-wire self-aligning input power quick disconnect and 2-wire quick disconnect to LED module.

Certifications

UL Listed wet location, IP66 rated and certified NSF2 for splash/non-food zones (option). Suitable for use in ISO-3 rated cleanrooms (209E Class 1).

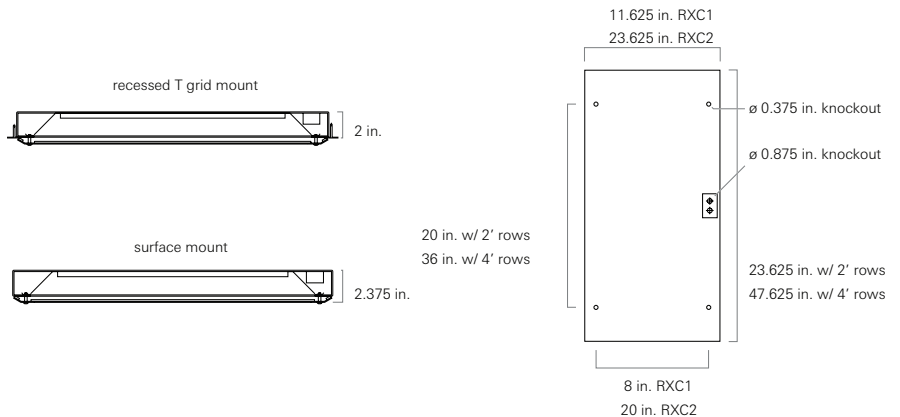
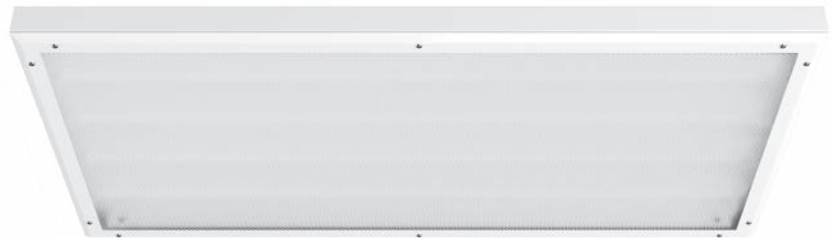


Job Name _____

Fixture Type _____

Catalog No. _____

Approval _____ Date _____



RXC	one	two	three	four	five	six	seven	eight	nine	ten
-----	-----	-----	-------	------	------	-----	-------	-------	------	-----

one Luminaire Size
14 1 x 4, three rows max
22 2 x 2
24 2 x 4

two LED Rows
1L One
2L Two
3L Three
4L Four

three Color Temperature
30 3000K
35 3500K
40 4000K
50 5000K

four Material
A Aluminum
C Cold rolled steel, standard
S Stainless steel

five Finish
R Brushed stainless steel
W White

six Voltage
120 120 V, 60 Hz
277 277 V, 60 Hz
VAR Variable, 120-277 V, 50/60Hz

seven Driver
DM 0-10Vdc Dimming, standard

eight Internal Lens
122 Optic Plus LED diffusing acrylic lens, std

nine External Lens
00 No external lens
33 .125 in. clear polycarbonate lens

ten Options
SO Specified output*
CU Canadian UL Listing
CP CCEA Chicago
EM Emergency battery backup
FH Fuse and holder
IMS Integral Occ Sensor
NS NSF listing
RF Radio interference filter, one per circuit
AM Anti-microbial coating (exposed areas)
TP Stainless steel torx head fasteners

Options for grid mount:
AH Painted aluminum housing
SH Painted stainless steel housing
SB Brushed stainless steel housing

* Indicated as SO(xx/xxxx). Specified output, Input watts / delivered lumens to be determined based on specified requirements.

Modifications are available to meet custom requirements.

Photometric Data for a 1x4 fixture with three rows (Full Output)

Lumens	Input Watts	Lumens / Watt	CCT	CRI
18105	164.3 watts	110	3943K	84.1

Photometric Data for a 2x2 fixture with four rows (Full Output)

Lumens	Input Watts	Lumens / Watt	CCT	CRI
13007	109 watts	119	3950K	83.1

Photometric Data for a 2x4 fixture with three rows (Full Output)

Lumens	Input Watts	Lumens / Watt	CCT	CRI
22250	175.5 watts	127	3896K	83.4

Coefficients of Utilization - Zonal Cavity Method (RXC-LED 2x4)

Effective Floor Cavity Reflectance: 20%

RCC %:	80				70				50			30			10			0
	70	50	30	0	70	50	30	0	50	30	20	50	30	20	50	30	20	0
RW %:	1.19	1.19	1.19	1.19	1.16	1.16	1.16	1.00	1.11	1.11	1.11	1.06	1.06	1.06	1.02	1.02	1.02	1.00
RCR: 0	1.19	1.19	1.19	1.19	1.16	1.16	1.16	1.00	1.11	1.11	1.11	1.06	1.06	1.06	1.02	1.02	1.02	1.00
1	1.10	1.05	1.01	.98	1.07	1.03	.99	.86	.99	.96	.93	.95	.92	.90	.91	.89	.88	.86
2	1.00	.92	.86	.80	.97	.90	.84	.73	.87	.82	.78	.84	.79	.76	.81	.77	.74	.72
3	.91	.81	.73	.67	.89	.80	.72	.63	.77	.71	.65	.74	.69	.64	.72	.67	.63	.61
4	.84	.72	.64	.57	.82	.71	.63	.54	.69	.62	.56	.66	.60	.55	.64	.59	.55	.53
5	.77	.65	.56	.50	.75	.64	.55	.48	.62	.54	.49	.60	.53	.48	.58	.52	.48	.46
6	.71	.58	.50	.43	.70	.58	.49	.42	.56	.48	.43	.54	.48	.43	.53	.47	.42	.40
7	.66	.53	.45	.39	.65	.52	.44	.37	.51	.43	.38	.49	.43	.38	.48	.42	.38	.36
8	.62	.49	.40	.34	.60	.48	.40	.34	.47	.39	.34	.45	.39	.34	.44	.38	.34	.32
9	.58	.45	.37	.31	.56	.44	.36	.30	.43	.36	.31	.42	.35	.31	.41	.35	.31	.29
10	.54	.41	.33	.28	.53	.41	.33	.28	.40	.33	.28	.39	.32	.28	.38	.32	.28	.26

RXC-LED - Polar Candela Distribution (RXC-LED 2x4)

