



RXC-LED RED

Cleanroom - low profile **LED** Ceiling surface or grid 1 in. T-grid ceiling

PRODUCT SPECIFICATION

Low profile - 2 in. above ceiling, 2.375 in. O.A. depth. Cleanrooms, laboratories, research facilities, kitchen areas, vivariums, natatoriums.

Mounting

Ceiling surface mount or recessed in 1 in. T-grid ceiling. Knockouts for earthquake cable supports provided.

Housing

18 gauge cold rolled steel die-formed to shape with seams welded, ground smooth, and caulked airtight. Aluminum and stainless steel available.

Door

One-piece 18 gauge cold rolled steel, gasketed and sealed overlapping door. Aircraft cables connect door to housing. Aluminum and stainless steel available.

Lens

Optic Plus lens (standard) completely hides diode image while providing greater than 90% light transmission.

Finish

Polyester powder-coated after phosphate pretreatment for superior adhesion and corrosion resistance. Brushed stainless steel available.

Driver

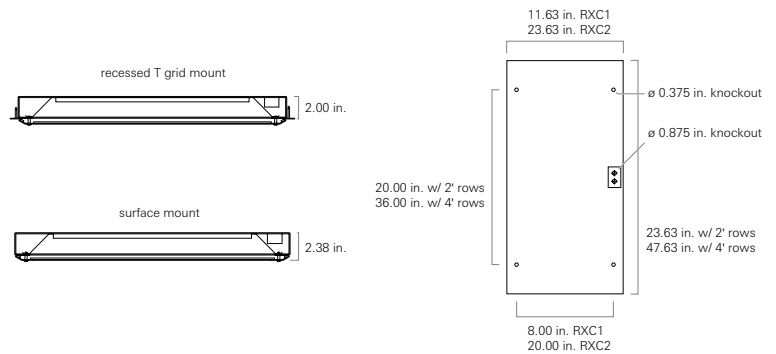
0-10Vdc dimming, Range 1%-100%, Factory programmable -40C Min. starting temperature, 0.9 PF, >20% THD

Wiring

Driver provided with pre-wired 3-wire self-aligning input power quick disconnect and 2-wire quick disconnect to LED module.

Certifications

UL Listed wet location, IP66 rated and certified NSF2 for splash/non-food zones (option). Suitable for use in ISO-3 clean rooms (209E Class 1).



RXC	one	two	three	four	five	six	seven	eight	nine	ten	eleven	twelve
-----	-----	-----	-------	------	------	-----	-------	-------	------	-----	--------	--------

one	Luminaire Size
12	1 x 2, <u>two rows max</u>
14	1 x 4, <u>two rows max</u>
22	2 x 2, <u>four rows max</u>
24	2 x 4, <u>four rows max</u>

two	LED Source
Refer to the LED Source Table on Page 2 for available options.	

three	Color Temperature
30	3000K
35	3500K
40	4000K
50	5000K

four	Housing Material
A	Aluminum
C	Cold rolled steel, <u>standard</u>
S	Stainless steel

five	Housing Finish
R	Brushed stainless steel
W	White

six	Door Material
A	Aluminum
C	Cold rolled steel, <u>standard</u>
S	Stainless steel

seven	Door Finish
R	Brushed stainless steel
W	White

eight	Voltage
120	120 V, 60 Hz
277	277 V, 60 Hz
VAR	Variable, 120-277 V, 50/60Hz

nine	Driver
DM	0-10Vdc Dimming, <u>standard</u>

ten	Internal Lens
122	Optic Plus LED diffusing acrylic lens, <u>std</u>
122R	Optic Plus with RF grid <u>Must be used with RF filter*</u>

eleven	External Lens
00	No external lens
33	.125 in. clear polycarbonate lens

twelve	Options
2C	Two circuit wired
AM	Anti-microbial coating (exposed areas)
CU	Canadian UL Listing
CP	CCEA Chicago
EM	Emergency battery backup
FH	Fuse and holder
IMS	Integral Occ Sensor
NL-LED	LED night light
NS	NSF listing
RF	Radio interference filter, one per circuit
TP	Stainless steel torx head fasteners**

**Not available with NSF option

Modifications are available to meet custom requirements. Specifications and dimensions are subject to change without notice.

CRI	LED LIFE
>80	>100,000

Red/White LED

LED Source (Box 2)	Red		3000K		3500K		4000K		5000K		Input Watts
	Delivered Lumens	Watts	Delivered Lumens	L/W	Delivered Lumens	L/W	Delivered Lumens	L/W	Delivered Lumens	L/W	
1' x 4' Fixture											
1R/1W55	1153	22	5282	133	5361	135	5519	139	5677	143	39.6
1R/1W70	1153	22	7070	129	7176	131	7387	135	7598	139	54.8
2' x 2' Fixture											
2R/2W55	1153	22	5281	133	5360	135	5518	139	5675	143	39.6
2R/2W70	1153	22	7069	129	7174	131	7385	135	7596	139	54.8
2' x 4' Fixture											
1R/2W55	1153	22	5325	145	5405	148	5564	152	5723	156	36.6
1R/2W90	1153	22	8819	138	8950	141	9213	145	9477	149	63.7
1R/2W120	1153	22	11808	137	11984	139	12337	143	12689	148	86.0
1R/2W150	1153	22	14529	133	14746	135	15180	139	15614	142	109.6
2R/2W55	2306	44	5325	145	5405	148	5564	152	5723	156	36.6
2R/2W90	2306	44	8819	138	8950	141	9213	145	9477	149	63.7
2R/2W120	2306	44	11808	137	11984	139	12337	143	12689	148	86.0
2R/2W150	2306	44	14529	133	14746	135	15180	139	15614	142	109.6

Red LED Only

LED Source (Box 2)	Size	Delivered Lumens	Input Power Red (W)
1R	1' x 4'	1153	22
2R	2' x 2'	1153	22
2R	2' x 4'	2306	44

Specified Output Option

LC Doane programmable drivers allows us to deliver a specific lumen output. If none of the options in the chart above fit your application, let us know the desired lumen output and we will do the rest. See the example for a 2x4 on how this will be specified:

Example Model:

RXC24-1R**XX**¹SO-40/80-CW/CW--VARDM-122/00-(**XX**²/LUMENS)

LUMENS = You provide the lumens.

XX¹ = We will determine the number of rows.

XX² = We will provide the wattage information.

Photometric Data @ 80 CRI with 122 lens

33 lens multiplier	.88
90 CRI multiplier	.83

