



# RXC-LED AMBER

Cleanroom - low profile **LED** Ceiling surface or grid 1 in. T-grid ceiling

## PRODUCT SPECIFICATION

Low profile - 2 in. above ceiling, 2.375 in. O.A. depth. Cleanrooms, laboratories, research facilities, kitchen areas, vivariums, natatoriums.

### Mounting

Ceiling surface mount or recessed in 1 in. T-grid ceiling. Knockouts for earthquake cable supports provided.

### Housing

18 gauge cold rolled steel die-formed to shape with seams welded, ground smooth, and caulked airtight. Aluminum and stainless steel available.

### Door

One-piece 18 gauge cold rolled steel, gasketed and sealed overlapping door. Aircraft cables connect door to housing. Aluminum and stainless steel available.

### Lens

Optic Plus lens (standard) completely hides diode image while providing greater than 90% light transmission.

### Finish

Polyester powder-coated after phosphate pretreatment for superior adhesion and corrosion resistance. Brushed stainless steel available.

### Driver

0-10Vdc dimming, Range 1%-100%, Factory programmable -40C Min. starting temperature, 0.9 PF, >20% THD

### Wiring

Driver provided with pre-wired 3-wire self-aligning input power quick disconnect and 2-wire quick disconnect to LED module.

### Certifications

UL Listed wet location, IP66 rated and certified NSF2 for splash/non-food zones (option). Suitable for use in ISO-3 clean rooms (209E Class 1).

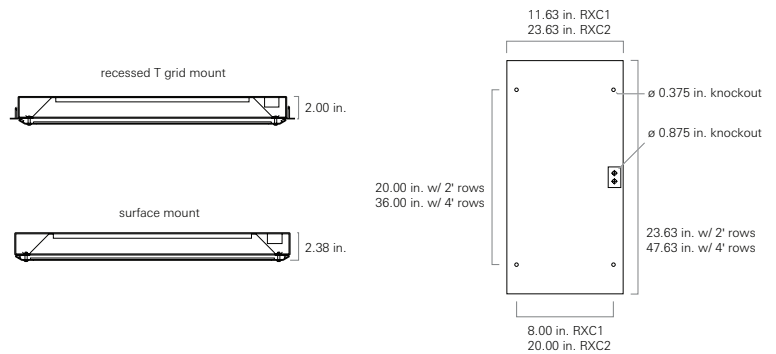


Job Name \_\_\_\_\_

Fixture Type \_\_\_\_\_

Catalog No. \_\_\_\_\_

Approval \_\_\_\_\_ Date \_\_\_\_\_



RXC	one	two	three	four	five	six	seven	eight	nine	ten	eleven	twelve
-----	-----	-----	-------	------	------	-----	-------	-------	------	-----	--------	--------

<b>one</b>	<b>Luminaire Size</b>
12	1 x 2, <u>two rows max</u>
14	1 x 4, <u>two rows max</u>
22	2 x 2, <u>four rows max</u>
24	2 x 4, <u>four rows max</u>

<b>two</b>	<b>LED Source</b>
	Refer to the LED Source Table on Page 2 for available options.

<b>three</b>	<b>Color Temperature</b>
30	3000K
35	3500K
40	4000K
50	5000K

<b>four</b>	<b>Housing Material</b>
A	Aluminum
C	Cold rolled steel, <u>standard</u>
S	Stainless steel

<b>five</b>	<b>Housing Finish</b>
R	Brushed stainless steel
W	White

<b>six</b>	<b>Door Material</b>
A	Aluminum
C	Cold rolled steel, <u>standard</u>
S	Stainless steel

<b>seven</b>	<b>Door Finish</b>
R	Brushed stainless steel
W	White

<b>eight</b>	<b>Voltage</b>
120	120 V, 60 Hz
277	277 V, 60 Hz
VAR	Variable, 120-277 V, 50/60Hz

<b>nine</b>	<b>Driver</b>
DM	0-10Vdc Dimming, <u>standard</u>

<b>ten</b>	<b>Internal Lens</b>
122	Optic Plus LED diffusing acrylic lens, <u>std</u>
122R	Optic Plus with RF grid <u>Must be used with RF filter*</u>

<b>eleven</b>	<b>External Lens</b>
00	No external lens
33	.125 in. clear polycarbonate lens

<b>twelve</b>	<b>Options</b>
2C	Two circuit wired
AM	Anti-microbial coating (exposed areas)
CU	Canadian UL Listing
CP	CCEA Chicago
EM	Emergency battery backup
FH	Fuse and holder
IMS	Integral Occ Sensor
NL-LED	LED night light
NS	NSF listing
RF	Radio interference filter, one per circuit*
TP	Stainless steel torx head fasteners**

\*\*Not available with NSF option

Modifications are available to meet custom requirements. Specifications and dimensions are subject to change without notice.

CRI	LED LIFE
>80	>100,000

Amber /White LED

LED Source (Box 2)	Amber		3000K		3500K		4000K		5000K		Input Watts
	Delivered Lumens	Watts	Delivered Lumens	L/W	Delivered Lumens	L/W	Delivered Lumens	L/W	Delivered Lumens	L/W	
<b>1' x 4' Fixture</b>											
1A/1W55	4208	56	5282	133	5361	135	5519	139	5677	143	39.6
1A/1W70	4208	56	7070	129	7176	131	7387	135	7598	139	54.8
<b>2' x 2' Fixture</b>											
2A/2W55	4208	56	5281	133	5360	135	5518	139	5675	143	39.6
2A/2W70	4208	56	7069	129	7174	131	7385	135	7596	139	54.8
<b>2' x 4' Fixture</b>											
1A/2W55	4208	56	5325	145	5405	148	5564	152	5723	156	36.6
1A/2W90	4208	56	8819	138	8950	141	9213	145	9477	149	63.7
1A/2W120	4208	56	11808	137	11984	139	12337	143	12689	148	86.0
1A/2W150	4208	56	14529	133	14746	135	15180	139	15614	142	109.6
2A/2W55	8416	112	5325	145	5405	148	5564	152	5723	156	36.6
2A/2W90	8416	112	8819	138	8950	141	9213	145	9477	149	63.7
2A/2W120	8416	112	11808	137	11984	139	12337	143	12689	148	86.0
2A/2W150	8416	112	14529	133	14746	135	15180	139	15614	142	109.6

Amber LED Only

LED Source (Box 2)	Size	Delivered Lumens	Input Power Red (W)
1A	1' x 4'	4208	56
2A	2' x 2'	4208	56
2A	2' x 4'	8416	112

## Specified Output Option

LC Doane programmable drivers allows us to deliver a specific lumen output. If none of the options in the chart above fit your application, let us know the desired lumen output and we will do the rest. See the example for a 2x4 on how this will be specified:

**Example Model:**

RXC24-1A**XX**<sup>1</sup>SO-40/80-CW/CW-VARDM-122/00-(**XX**<sup>2</sup>/**LUMENS**)

**LUMENS** = You provide the lumens.

**XX**<sup>1</sup> = We will determine the number of rows.

**XX**<sup>2</sup> = We will provide the wattage information.

**Photometric Data @ 80 CRI with 122 lens**

33 lens multiplier	.88
90 CRI multiplier	.83

