



PRODUCT SPECIFICATION

The RW3 series is designed for general purpose lighting in high abuse environments.

Mounting

Surface mounts to ceiling. Knockouts on both ends permit continuous fixture mounting.

Lens

One piece, vandal resistant, .156 in., extruded, UV stabilized, prismatic polycarbonate lens.

Housing

18 gauge cold rolled steel die formed to shape. Stainless steel available.

Finish

Polyester powder-coated after phosphate pretreatment for superior adhesion and corrosion resistance. Brushed stainless steel available.

Hardware

Stainless steel, tamper-proof fasteners.

Certifications

UL Listed damp or wet location. Covered ceilings only.

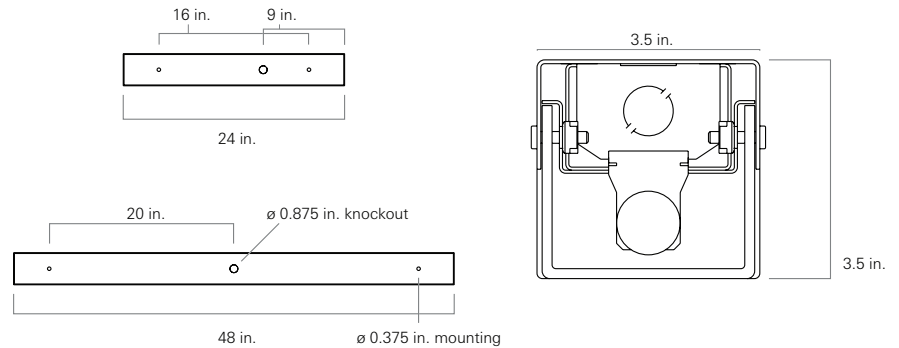
Job Name _____

Fixture Type _____

Catalog No. _____

Approval _____

Date _____

**one Lamps (not included)**

- 14 2 ft. 14 W T5
- 17 2 ft. 17 W T8
- 24 2 ft. 24 W T5 HO
- 4B 2 ft. 40 W T5 RS Biax
- 28 4 ft. 28 W T5
- 32 4 ft. 32 W T8
- 54 4 ft. 54 W T5 HO

two Voltage

- 120 120 V, 60 Hz
- 277 277 V, 60 Hz
- 347 347 V, 60 Hz
- VAR Variable, 120-277 V, 50/60Hz

three Ballast

- EL Electronic Instant Start, std T8
- PR Program Start, std T5, option T8

four Material

- C Cold rolled steel
- S Stainless steel

five Finish

- R Brushed stainless steel
- W White

six Fasteners

- AP Stainless steel allen head with pin
- TP Stainless steel torx head with pin
- PH Phillips, non-security

seven UL Listing

- D Damp Location
- W Wet location

eight Options

- CU Canadian UL Listing
- E1 One lamp emergency ballast, 4 ft. lamps only
- FH Fuse and holder

Modifications are available to meet custom requirements.