

Instructions for: Surface Mount Strips (RW3/RW6/SW6/SWC)

IMPORTANT!

When using electrical equipment, basic safety precautions must be followed:

Service must be performed by qualified service personnel.

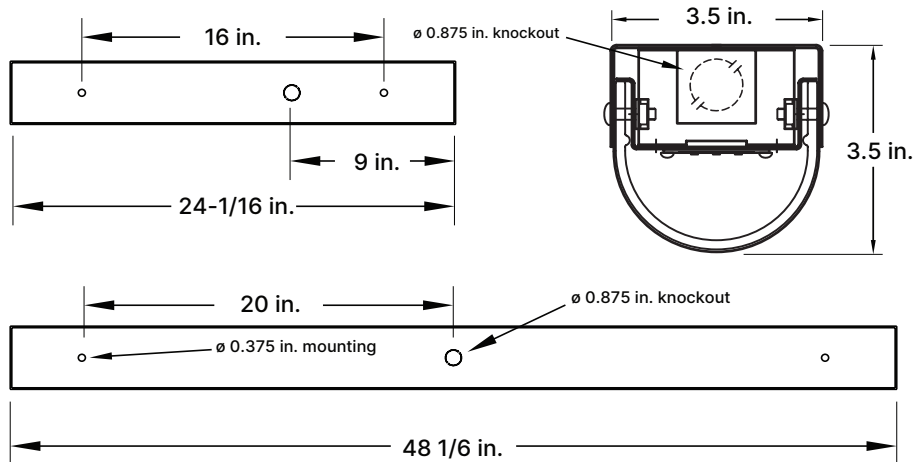
Do not use product for other than intended use.

Do not install this product near gas or electric heaters.

RW3/RW6/SW6/SWC Surface Mounted Installation Instructions

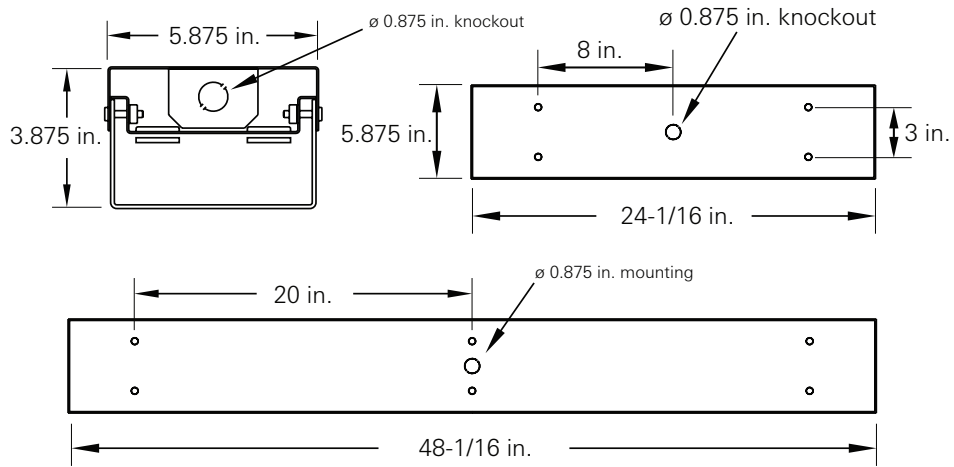
1. Remove lens retaining screws on either side of the fixture housing to remove the lens.
2. Disconnect power to all LED boards by depressing each board connector's latch and pulling away.
3. Remove wireway cover retaining screws, one at each corner, and remove the wireway cover.
4. Punch out all housing wire access knockout(s) that are going to be used.
5. Secure fixture to the mounting surface using the housing's mounting holes.
6. Wire fixture in accordance with NEC and local code requirements.
7. Re-install all removed components.

RW3 Installation

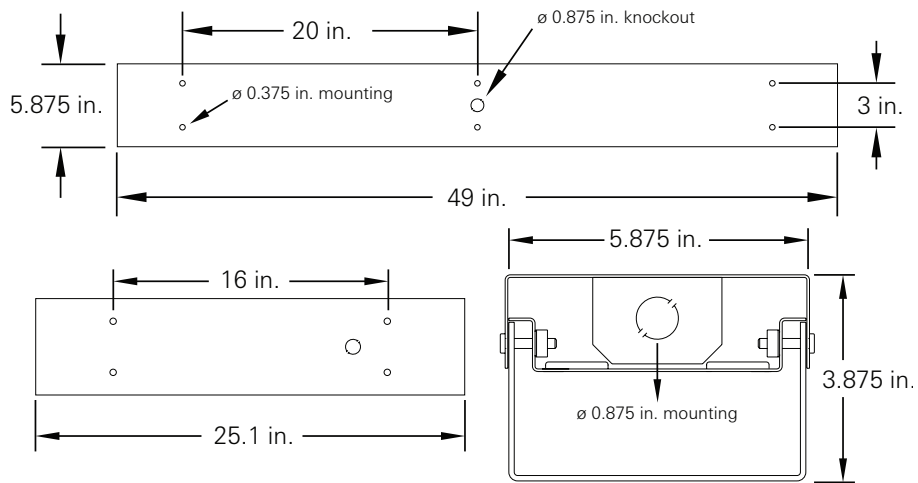


*Dimensions are subject to change without notice.
Any additional instructions present on or within the fixture supersede these instructions.*

RW6 Installation

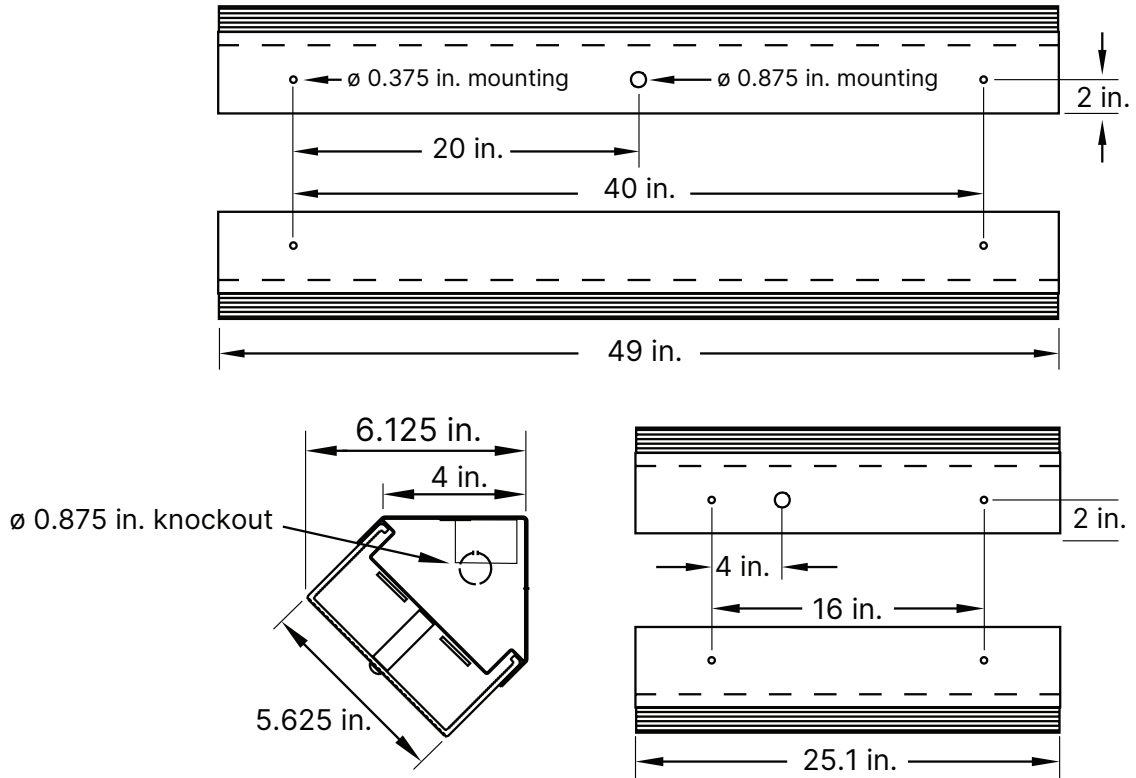


SW6 Installation



*Dimensions are subject to change without notice.
Any additional instructions present on or within the fixture supersede these instructions.*

SWC Installation



*Dimensions are subject to change without notice.
Any additional instructions present on or within the fixture supersede these instructions.*