



MSG-LED

Marine Surface Mount Wall **LED**

PRODUCT SPECIFICATION

The MSG Series is designed for wall-mounted use along hallways, passageways, work stations, engine rooms, or wherever headroom is limited.

Mounting

Surface-mounts to walls.

Housing

Die-formed marine grade aluminum housing with continuously welded seams.

Lens

Acrylic prismatic diffuser

Lens Frame

Marine grade aluminum frame with a full length hinge on one side and with two spring loaded quarter turn fasteners for easy access and maintenance of the fixture.

Finish

White powder coat polyester finish with phosphate pretreatment to ensure superior adhesion.

Light Source

Full-length LED arrays, powered by 120 V 60 Hz drivers, provide 30W, 0.256A of solid state illumination.

Weight

4 ft: 16 lbs (7.3 kg)
2 ft: 11 lbs (5.0 Kg)

Certifications

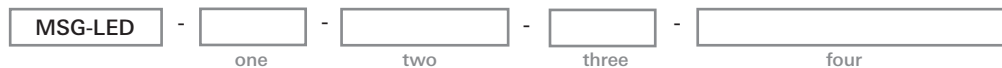
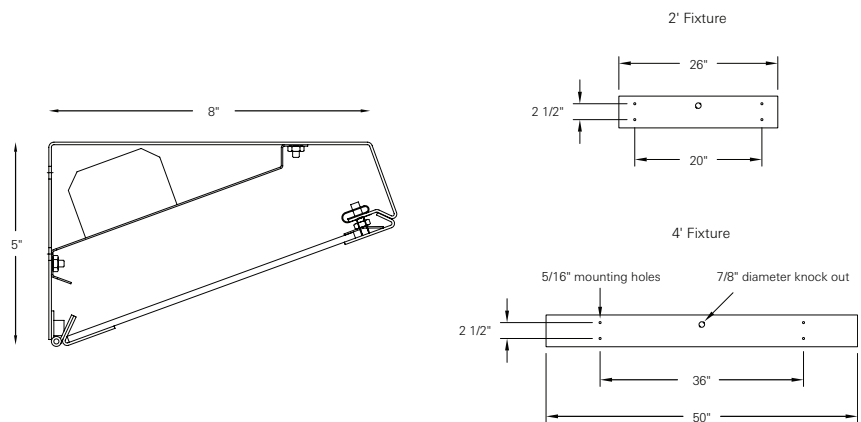
IP 54 rated. ABS approved.
UL 1598A marine listed.

Job Name _____

Fixture Type _____

Catalog No. _____

Approval _____ Date _____



one LED Rows

- 1L one
- 2L two

two LED

- 24/35 2ft 3500K
- 24/40 2ft 4000K
- 24/50 2ft 5000K
- 48/35 4ft 3500K
- 48/40 4ft 4000K
- 48/50 4ft 5000K

three Driver

- DM 0-10Vdc dimming, standard

four Options

- EM Emergency ballast

Modifications are available to meet custom requirements. Specifications and dimensions are subject to change without notice.