



MIL-DTL-16377/8

301-LED Series

Overhead Lighting Surface Mount Flush Mount One Array **LED**

PRODUCT SPECIFICATION

Overhead Lighting 301-LED Series

The 301-LED Series is a watertight one array LED luminaire designed for general purpose naval lighting in wet maritime environments. Available with 5-hour EM (NEALS) battery system.

Mounting

Mounts to ceiling surfaces or flush within them.

Light Source

One full-length LED array, powered by 120V 60Hz driver, provide 7.6W, 0.067A of solid state illumination.

Lens

1/4 in. thick white diffusing lens. Prismatic lens available.

Housing

Manufactured from die-formed aluminum center with die cast aluminum ends.

Finish

Polyester powder-coated after phosphate pretreatment for superior adhesion and corrosion resistance.

Cable

Supplied with 10 ft. of LSDHOF-3 cable. 7XW-3 cable used with emergency circuit option (73A).

Certifications

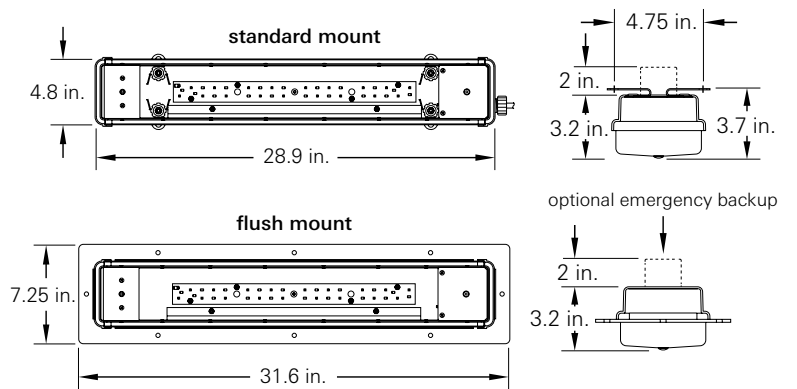
First Article Qualified.

Contact factory for additional options.



M16377/8C-331.1SSL

standard mount fixture with white diffusing window and one LED array



MIL-SPEC	SLANT	SYMBOL	one	two	three	four	five
M16377	/	-	-	-	-	-	-

Slant 8C 73A	Electrical Rating One LED array One LED array with NEALS battery backup	one F	Mounting Flush mount	four S	Switch option One DPST switch
Symbol 331.1SSL 331.2SSL 331.1EMSSL 331.2EMSSL	Mounting Standard mount with white diffusing lens Flush mount with white diffusing lens 331.1SSL with emergency battery backup 331.2SSL with emergency battery backup	two P	Lens Prismatic lens	five 10G E	Options 10' LSTHOF-3 ground cable NEALS battery backup
		three NV B R	LED Color Array Night Vision Blue Red		

Replacement Item	L.C. Doane Number	Military Number	NSN
1 Driver & 1 White Array Kit*	B-3335	-	-
1 Driver & 1 White Array Kit **	B-3335A	-	-
White Diffusing Lens	B-1467-NS	M16377/8-001	6210-00-548-0601
Prismatic Lens	B-1726-NS	M16377/8-003	6210-01-438-2960
DPST Toggle Switch	B-573-D	-	-
Shockmount	B-1591-BS	M16377/41-009	6210-00-973-1747
NEALS Emergency Battery Pack	B-2860-301	-	6240-01-675-1662

* For fixtures without Switch option
** For fixtures with Switch option
Contact factory for color array replacement options

Modifications are available to meet custom requirements. Specifications and dimensions are subject to change without notice.