



# MIL-DTL-16377/12

303-LED Series

Overhead Lighting Surface Mount Flush Mount Three Array **LED**

PRODUCT SPECIFICATION

## Overhead Lighting 303-LED Series

The 303-LED Series is a watertight three array LED luminaire designed for general purpose naval lighting in wet maritime environments. Available with 5-hour EM (NEALS) battery system.

### Mounting

Mounts to ceiling surfaces or flush within them.

### Light Source

Three full-length LED arrays, powered by 120V 60Hz drivers, provide 22.2W, 0.192A of solid state illumination.

### Lens

1/4 in. thick white diffusing lens. Prismatic lens available.

### Housing

Manufactured from die-formed aluminum center with die cast aluminum ends.

### Finish

Polyester powder-coated after phosphate pretreatment for superior adhesion and corrosion resistance.

### Cable

Supplied with 10 ft. of LSTHOF-4 cable. 7XW-3 cable used with emergency circuit option (75A).

### Certifications

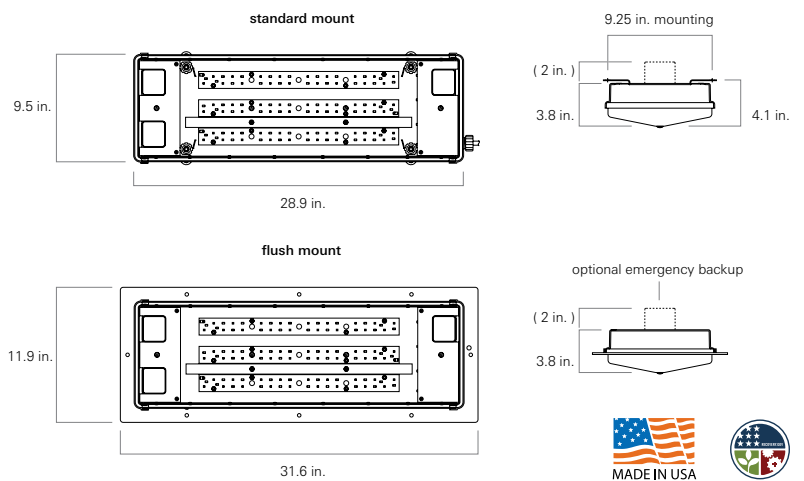
First Article Qualified.

Contact factory for additional options.



M16377/12C-333.1SSL

standard mount fixture with white diffusing window and three LED arrays



MIL-SPEC	SLANT	SYMBOL	one	two	three	four	five
M16377	/	-	-	-	-	-	-

<b>Slant</b>	<b>Electrical rating</b>	<b>one</b>	<b>Mounting</b>	<b>four</b>	<b>Switch option(s)</b>
12C	Three LED arrays	F	Flush mount	S	One DPST switch
75A	Three LED arrays with NEALS battery pack	<b>two</b>	<b>Lens</b>	SS	Two DPST switches
		P	Prismatic lens	<b>five</b>	<b>Options</b>
<b>Symbol</b>	<b>Mounting</b>	<b>three</b>	<b>LED Color Array</b>	10G	10' LSFHOF-3 ground cable
333.1SSL	Standard mount with white diffusing lens	B	Blue	E	NEALS battery backup
333.2SSL	Flush mount with white diffusing lens	R	Red		
333.1EMSSL	333.1SSL with emergency battery backup	NV	Night Vision		
333.2EMSSL	333.2SSL with emergency battery backup				

Replacement Item	L.C. Doane Number	Military Number	NSN
1 Driver & 1 White Array Kit *	B-3335	-	-
1 Driver & 1 White Array Kit **	B-3335A	-	-
White Diffusing Lens	B-1723-NS	M16377/12-001	6210-00-295-2849
Prismatic Lens	B-1720-NS	M16377/12-004	6210-00-814-5914
DPST Toggle Switch	B-573-D	-	-
Shockmount	B-1591-BS	M16377/41-009	6210-00-973-1747
NEALS Emergency Battery Pack	B-2860-303	-	6210-01-675-0014

\* For fixtures without Switch option  
 \*\* For fixtures with Switch option  
 Contact factory for color array replacement options

Modifications are available to meet custom requirements.  
 Specifications and dimensions are subject to change without notice.