



# M900-LED

Single Foundation    Overhead Lighting    Surface Mount    Flush Mount    10W-30W    LED

PRODUCT SPECIFICATION

## Overhead Lighting

The M900 Series is a single foundation watertight LED luminaire designed for general purpose marine lighting in wet maritime environments. Available with 90 minute EM battery backup.

### Mounting

Ceiling or Wall, Surface and Recessed mounting.

### Light Source

LED Array powered by 120-277VAC 50/60 Hz drivers

White light 4000K  $\geq 80$  CRI

**M901**      1260 Lm 11.9W

**M902**      2490 Lm 21.0W

**M903**      3670 Lm 32.2W

**EM**        1000 Lm 90 minutes

Two circuit color/white options

Contact factory for color performance specifications

### Lens

Smooth easy-clean high-strength injection molded 3/16 inch thick LED diffusing acrylic. Gasket seals lens to housing.

Die cast lens frame with captive stainless screws provides consistent gasket compression.

### Housing

Die cast aluminum housing provides two 3/4 NPT conduit connections for through wiring. Supplied with pipe plug installed on one end. Includes liquid tight cord grip for cable diameter range 0.250-0.490.

### Finish

Polyester powder-coated after phosphate pretreatment for superior adhesion and corrosion resistance.

### Weight

M901,2,3      4.5lbs.

M901,2,3-F    6.0lbs.

M901,2,3-EM   5.6lbs.

M901,2,3-F-EM 7.1lbs.

### Cable Option

Cable not included

Contact for cable options and lengths available from stock

### Ceiling cutout

Recessed flanged fixture: 13.25 inch sq.

### Certifications

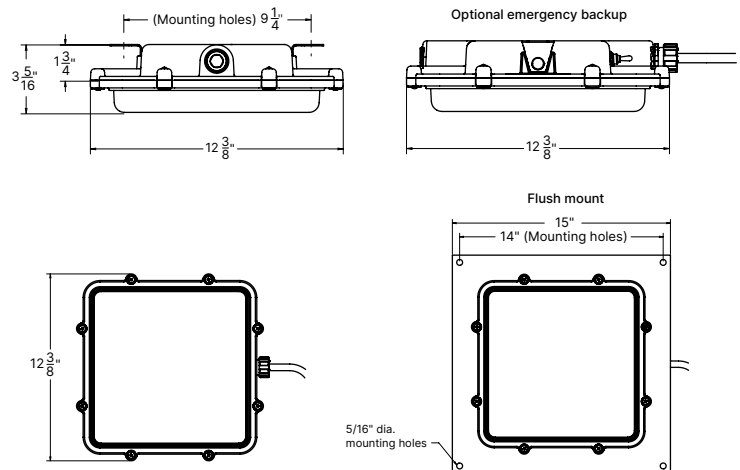
IP67 rated. USCG ABS approved.

UL 1598A marine listed.

Contact factory for additional options.



M901, M902 & M903 series



SERIES      one      two      three      four

Series	one	Mounting	two	LED Color Array	three	Switch option(s)
M901	F	Flush mount	R	Red/White	S	One DPST switch
M902	(blank)	Surface mount	NV	Night Vision/White		
M903			(blank)	White	four	Options
					EM	Emergency battery backup
					WC	With Cable