



M900-LED

Single Foundation Overhead Lighting Surface Mount Flush Mount 10W-30W LED

PRODUCT SPECIFICATION

Overhead Lighting

The M900 Series is a single foundation watertight LED luminaire designed for general purpose marine lighting in wet maritime environments. Available with 90 minute EM battery backup.

Mounting

Ceiling or Wall, Surface and Recessed mounting.

Light Source

LED Array powered by 120-277VAC 50/60 Hz drivers

White light 4000K ≥ 80 CRI

M901 1260 Lm 11.9W

M902 2490 Lm 21.0W

M903 3670 Lm 32.2W

EM 1000 Lm 90 minutes

Two circuit color/white options

Contact factory for color performance specifications

Lens

Smooth easy-clean high-strength injection molded 3/16 inch thick LED diffusing acrylic. Gasket seals lens to housing.

Die cast lens frame with captive stainless screws provides consistent gasket compression.

Housing

Die cast aluminum housing provides two 3/4 NPT conduit connections for through wiring. Supplied with pipe plug installed on one end. Includes liquid tight cord grip for cable diameter range 0.250-0.490.

Finish

Polyester powder-coated after phosphate pretreatment for superior adhesion and corrosion resistance.

Weight

M901,2,3 4.5lbs.

M901,2,3-F 6.0lbs.

M901,2,3-EM 5.6lbs.

M901,2,3-F-EM 7.1lbs.

Cable Option

Cable not included

Contact for cable options and lengths available from stock

Ceiling cutout

Recessed flanged fixture: 13.25 inch sq.

Certifications

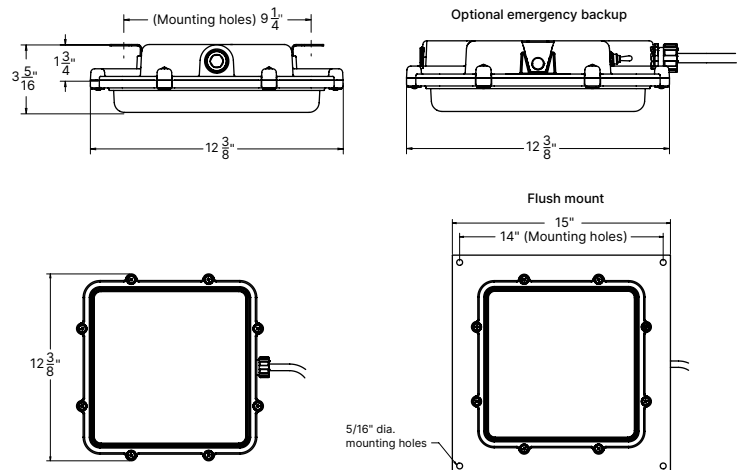
IP67 rated. USCG ABS approved.

UL 1598A marine listed.

Contact factory for additional options.



M901, M902 & M903 series



SERIES one two three four

Series	one	Mounting	two	LED Color Array	three	Switch option(s)
M901	F	Flush mount	R	Red/White	S	One DPST switch
M902			NV	Night Vision/White		
M903					four	Options
					EM	Emergency battery backup
					WC	With Cable