



# M506

Marine Surface Mount Wall Fluorescent

## PRODUCT SPECIFICATION

# Surface Lighting

## M506 Series

The M506 series is an enclosed and gasketed twin fluorescent detail lighting fixture. These units are perfect for mirror, corridor, work stations, or stairwell lighting. The M506 series options include a duplex receptacle or a single receptacle with a toggle switch.

### Mounting

Surface-mounts to bulkheads.

### Lens

One-piece flat 1/8-inch thick prismatic acrylic.

### Lens Frame

Manufactured marine-grade aluminum. Hinged the full length on one side and latched with two spring-loaded quarter-turn fasteners for easy access to lamps and maintenance of the fixture.

### Housing

Die-formed marine-grade aluminum housing with continuously-welded seams.

### Finish

White, powder-coat finish, inside and out, phosphate pretreated to ensure superior adhesion and rust resistance.

### Lamp Holders

Spring-loaded lamp sockets hold lamps securely in position.

### Wiring

Available with duplex receptacle or a single receptacle outlet and toggle switch.

### Electrical

Fluorescent lamps (not included) powered by 600VDC high frequency electronic ballast. Parallel Lamp, Instant Start operation.

### Certifications

IP 54 rated. USCG ABS approved. UL 1598A marine listed.

### Applications

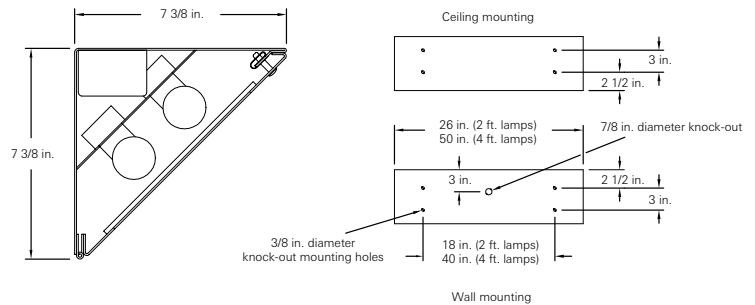
- Mirror lights
- Work stations
- Crew Quarters
- Corridors / Stairwells

Job Name \_\_\_\_\_

Fixture Type \_\_\_\_\_

Catalog No. \_\_\_\_\_

Approval \_\_\_\_\_ Date \_\_\_\_\_



M506	one	two	three
	-	-	-

- one Lamp Type**
- 15 15W T12 (2 ft)
  - 17 17W T8 (2 ft)
  - 28 28W T5 (4 ft)
  - 32 32W T8 (4 ft)

- two Features**
- (blank) No receptacle or switch
  - A Duplex receptacle (15W only)
  - B Single receptacle with DPST toggle switch (15W only)

- three Options**
- SJO 10' of 16/3 cable, pre-wired
  - ST Stuffing tube
  - LS 10' 3 Wire /16 gauge low smoke cable assembly
  - S Limit Switch - automatically turns off fixture when door is opened
  - FH Fuse and holder rated for 600VDC

Modifications are available to meet custom requirements. Specifications and dimensions are subject to change without notice.