



M450

Marine Surface Mount Wall Fluorescent

PRODUCT SPECIFICATION

Surface Lighting M450 Series

The M450 series is designed for berth and bunk lighting in seaborne vessels and offshore platforms.

Mounting

Surface-mounts to bulkheads.

Electrical

Fluorescent lamps (not included) powered by 120V 50/60Hz driver

Lens

Extruded, impact-resistant, white acrylic lens.

Housing

Extruded aluminum housing with die-cast ends.

Finish

Polyester powder-coated after phosphate pretreatment for superior adhesion and corrosion resistance.

Wiring

Available with a single receptacle outlet and lighted switch.

Certifications

IP 20 rated. USCG ABS approved. UL 1598A marine listed.

Applications

- Bunks, bulkheads
- Mirror lights
- Passageways
- Chart lights

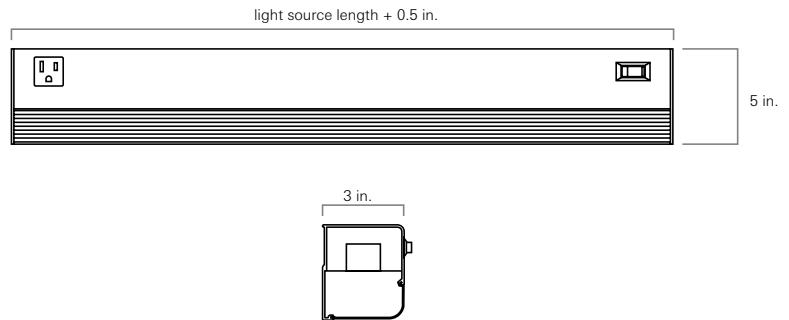
Job Name _____

Fixture Type _____

Catalog No. _____

Approval _____

Date _____



M450	one	two
	-	-

one	Lamp Wattage / Length	two	Options
8	12 in. 8W T5, two lamps	CO	Convenience outlet
15	18 in. 15W T8, one lamp	SW	Switch
36	18 in. 36W T5 biax, one lamp	USB	USB Charging Port
13	21 in. 13W T5, two lamps		
14	24 in. 14W T5, two lamps		
17	24 in. 17W T8, one lamp		
24	24 in. 24W T5 HO, one lamp		

Modifications are available to meet custom requirements. Specifications and dimensions are subject to change without notice.