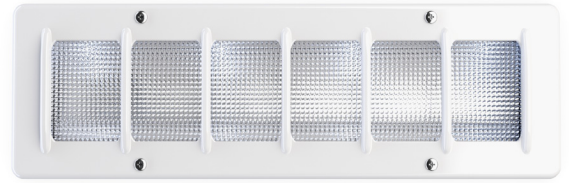


M421 Series Fluorescent Light Fixture

The M421 series is designed and constructed for commercial marine and wet location recessed wall and step mount applications. It's watertight and constructed from marine grade aluminum with an acrylic lens.



Housing and Door Both housing and door are manufactured of cast aluminum. The housing features a factory installed stuffing tube. The door conceals the six mounting screws supplied with the unit.

Lens A prismatic acrylic lens with neoprene U channel gasket is sandwiched between the door and housing for a watertight seal.

Lamp Holders A fluorescent lamp is installed with a lamp lock device to hold the lamp securely in position.

Finish White powder coat polyester inside and out, phosphate pretreated to ensure superior adhesion and corrosion resistance.

Ballast Standard 120 Volt, 60 Hz ballast.

Features

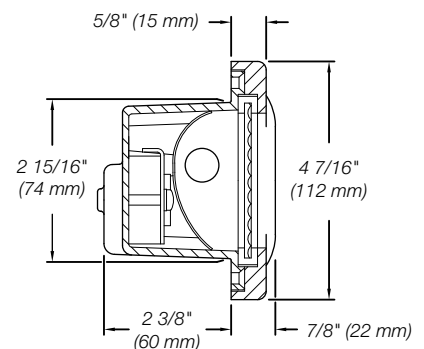
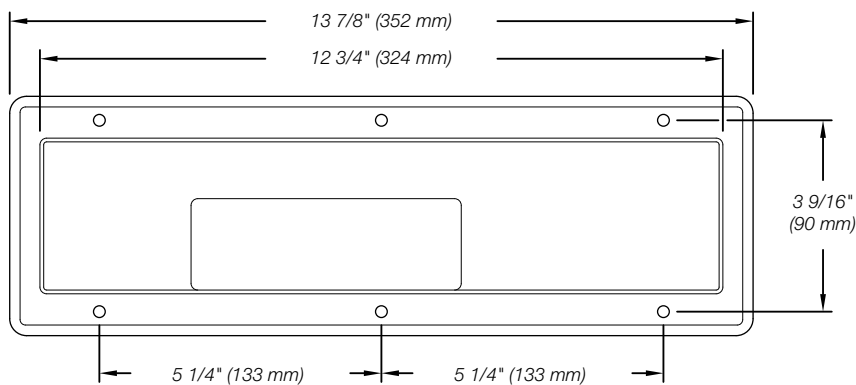
- » 8 watt bi-pin lamp
- » UL 1598A marine
- » IP 66

Applications

- » Wall illumination
- » Step illumination

Dimensions *dimensions and specifications subject to change without notification*

Weight: 5.0 lbs. (2.3 kg)





1 Lens

C	<i>Clear prismatic</i>
R	<i>Red prismatic</i>
B	<i>Blue prismatic</i>
GR	<i>Green prismatic</i>

Options

BC	<i>Brushed finish on door</i>
SJO	<i>10' of 16/3 cable, prewired</i>
PF	<i>Plaster mounting frame</i>
