



M2SW

Marine Surface / Wall Mount Ceiling

PRODUCT SPECIFICATION

Surface Lighting M2SW Series

The M2SW Series is designed for surface or wall mounted use and is constructed from glass reinforced polyester with an acrylic diffuser.

Mounting

Surface mounts to ceilings via stainless steel or white polyester powder coat steel mounting feet.

Lens

One-piece impact-resistant clear textured acrylic seated against a seamless, poured-in-place gasket.

Lens Retention

Quick release clamping rails make for easy, tool-less access to lamps and electrical components.

Housing

One piece high-impact white glass-reinforced polyester fire-resistant material. Housing features a factory-installed cable access stuffing tube.

Ballast

Standard universal 120-277 VAC, 50/60 Hz, electronic ballast. Contact factory for other options.

Weight

2 ft fixture - 6 lbs (4.5 kg)
4 ft fixture - 10 lbs (2.7 kg)

Certifications

IP 65 rated. USCG ABS approved.
UL 1598A marine listed. Outside salt water.

Applications

- High moisture areas
- Work stations
- Passageways
- Oil platforms
- Processing plants
- Engine rooms

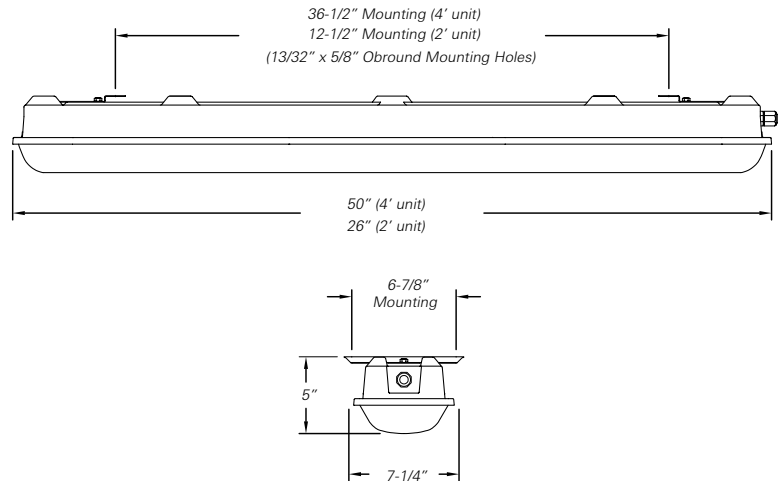
Job Name _____

Fixture Type _____

Catalog No. _____

Approval _____

Date _____



| | one | two | three |
|-------------|---|-----|--------------------------------------|
| M2SW | - | - | - |
| one | Lamp quantity | | three |
| 1 | One | | E1 One lamp emergency services |
| 2 | Two | | 2ST Two stuffing tubes, one each end |
| 3 | Three (available with 14W T5 (2ft), 28W T5 (4ft), and 32W T8 (4ft)) | | SJO 10' of 16/3 cable, pre-wired |
| | | | 2C Two-circuit wired |
| | | | DC 12/24 Volt DC |
| | | | SM Stainless steel mounting feet |
| two | Lamp Type | | |
| 14 | 14W T5, (2ft) | | |
| 17 | 17W T8, (2ft) | | |
| 24 | 24W HO T5, (2ft) | | |
| 28 | 28W T5, (4ft) | | |
| 32 | 32W T8, (4ft) | | |
| 54 | 54W HO T5, (4ft) | | |

Modifications are available to meet custom requirements. Specifications and dimensions are subject to change without notice.