



# M2SW-LED

Marine **LED** Surface / Wall Mount Ceiling

PRODUCT SPECIFICATION

## Surface Lighting M2SW Series

The M2SW Series is designed for surface or wall mounted use and is constructed from glass reinforced polyester with an acrylic diffuser.

### Mounting

Surface mounts to ceilings via stainless steel or white polyester powder coat steel mounting feet.

### Lens

One-piece impact-resistant clear textured acrylic seated against a seamless, poured-in-place gasket.

### Lens Retention

Quick release clamping rails make for easy, tool-less access to lamps and electrical components.

### Housing

One piece high-impact white glass-reinforced polyester fire-resistant material. Housing features a factory-installed cable access stuffing tube.

### Finish

Polyester powder-coated after phosphate pretreatment for superior adhesion and corrosion resistance.

### Wiring

One piece high-reflectance electrical component mounting tray, secured with thumbscrews for tool-less access to wiring.

### Weight

2 ft fixture - 6 lbs (4.5 kg)  
4 ft fixture - 10 lbs (2.7 kg)

### Certifications

IP 65 rated. USCG ABS approved.  
UL 1598A marine listed. Outside salt water.

### Applications

- High moisture areas
- Work stations
- Passageways
- Oil platforms
- Processing plants
- Engine rooms

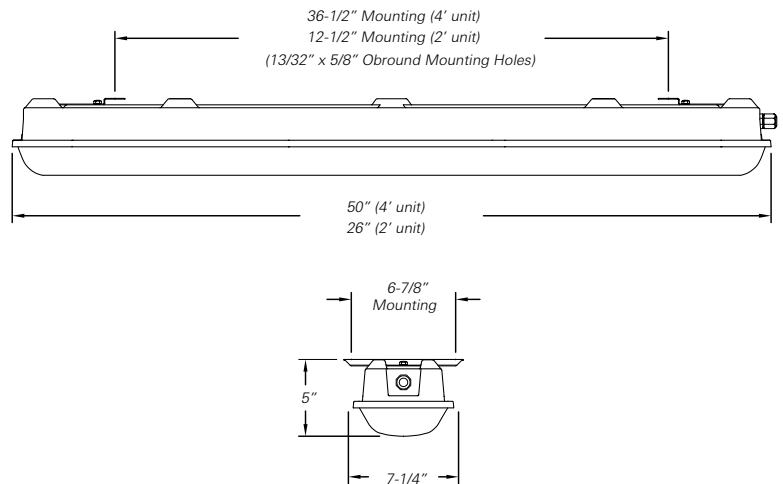
Job Name \_\_\_\_\_

Fixture Type \_\_\_\_\_

Catalog No. \_\_\_\_\_

Approval \_\_\_\_\_

Date \_\_\_\_\_



**ABS**



one two three four five six  
 M2SW - - - VAR DM -

<b>one</b>	<b>Luminaire Size</b>	<b>three</b>	<b>Color Temperature (white)</b>
2	2-ft fixture	30	3000K
4	4-ft fixture	35	3500K
		40	4000K, standard
		50	5000K
<b>two</b>	<b>LED Source</b>	<b>four</b>	<b>Voltage</b>
	Refer to the LED Source Table on Page 2 for available options.	VAR	Variable 120-277V, 50/60Hz
		<b>five</b>	<b>Driver</b>
		DM	0-10Vdc dimming, <u>standard</u>

<b>six</b>	<b>Options</b>
SO	Specified output*
EM	Emergency battery backup
2ST	Two stuffing tubes, one each end
SJO	10' of 16/3 cable, pre-wired
2C	Two-circuit wired
SL	Stainless steel lens retention
SM	Stainless steel mounting feet

\* Indicated as SO(xx/xxxx). Specified output, Input watts / delivered lumens to be determined based on specified requirements.

Modifications are available to meet custom requirements. Specifications and dimensions are subject to change without notice.

CRI	LED Life
>80	>100,000

LED Source (Box 2)	3000K		3500K		4000K		5000K		Input Watts
	Delivered Lumens	L/W	Delivered Lumens	L/W	Delivered Lumens	L/W	Delivered Lumens	L/W	
<b>2' Fixture</b>									
<b>1W24*</b>	2366	138	2401	140	2472	145	2542	149	17.1
<b>1W33</b>	3168	138	3215	140	3309	144	3404	148	23.0
<b>1W41</b>	3898	136	3956	138	4072	142	4188	146	28.7
<b>2W52</b>	5017	148	5091	151	5241	155	5391	159	33.8
<b>2W61</b>	5824	147	5911	149	6085	154	6259	158	39.6
<b>2W71</b>	6834	146	6936	148	7140	153	7344	157	46.8
<b>2W81</b>	7795	142	7912	144	8144	149	8377	153	54.8
<b>4' Fixture</b>									
<b>1W25</b>	2420	145	2456	147	2528	151	2601	156	16.7
<b>1W37</b>	3582	148	3635	150	3742	155	3849	159	24.2
<b>1W49*</b>	4731	149	4802	151	4943	155	5084	160	31.8
<b>1W61</b>	5824	147	5911	149	6085	154	6259	158	39.6
<b>1W71</b>	6834	146	6936	148	7140	153	7344	157	46.8
<b>1W81</b>	7795	142	7912	144	8144	149	8377	153	54.8
<b>2W93</b>	8890	149	9023	151	9288	155	9544	160	59.8
<b>2W121</b>	11648	147	11822	149	12170	153	12517	158	79.3
<b>2W142</b>	13668	146	14369	153	14280	152	14688	157	93.7
<b>2W162</b>	15590	142	15823	144	16289	149	16754	153	109.6

\*1W24: Equivalent to 2L-17W-T8-(2290) Fluorescent

\*1W49: Equivalent to 2L-32W-T8-(4747) Fluorescent

## Specified Output Option

LC Doane programmable drivers allows us to deliver a specific lumen output. If none of the options in the chart above fit your application, let us know the desired lumen output and we will do the rest. See the example for a 4' on how this will be specified:

### Example Model:

M2SW-2-**XX**<sup>1</sup>SO-40-VARDM-(**XX**<sup>2</sup>/LUMENS)

**LUMENS** = You provide the lumens.

**XX**<sup>1</sup> = We will determine the number of rows.

**XX**<sup>2</sup> = We will provide the wattage information.