



M2SW-LED

Marine **LED** Surface / Wall Mount Ceiling

PRODUCT SPECIFICATION

Surface Lighting M2SW Series

The M2SW Series is designed for surface or wall mounted use and is constructed from glass reinforced polyester with an acrylic diffuser.

Mounting

Surface mounts to ceilings via stainless steel or white polyester powder coat steel mounting feet.

Lens

One-piece impact-resistant clear textured acrylic seated against a seamless, poured-in-place gasket.

Lens Retention

Quick release clamping rails make for easy, tool-less access to lamps and electrical components.

Housing

One piece high-impact white glass-reinforced polyester fire-resistant material. Housing features a factory-installed cable access stuffing tube.

Finish

Polyester powder-coated after phosphate pretreatment for superior adhesion and corrosion resistance.

Wiring

One piece high-reflectance electrical component mounting tray, secured with thumbscrews for tool-less access to wiring.

Weight

2 ft fixture - 6 lbs (4.5 kg)
4 ft fixture - 10 lbs (2.7 kg)

Certifications

IP 65 rated. USCG ABS approved.
UL 1598A marine listed.

Applications

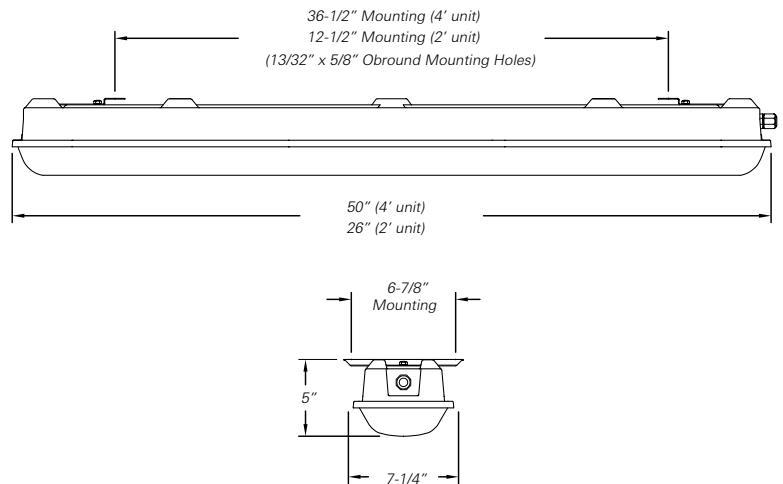
- High moisture areas
- Work stations
- Passageways
- Oil platforms
- Processing plants
- Engine rooms

Job Name _____

Fixture Type _____

Catalog No. _____

Approval _____ Date _____



M2SW - one - two - three - four - five - six
VAR DM

one	Luminaire Size	three	Color Temperature (white)
2	2-ft fixture	30	3000K
4	4-ft fixture	35	3500K
		40	4000K, standard
		50	5000K
two	LED Source	four	Voltage
	Refer to the LED Source Table on Page 2 for available options.	VAR	Variable 120-277V, 50/60Hz
		five	Driver
		DM	0-10Vdc dimming, <u>standard</u>

six	Options
SO	Specified output*
EM	Emergency battery backup
2ST	Two stuffing tubes, one each end
SJO	10' of 16/3 cable, pre-wired
2C	Two-circuit wired
SL	Stainless steel lens retention
SM	Stainless steel mounting feet

* Indicated as SO(xx/xxxx). Specified output, Input watts / delivered lumens to be determined based on specified requirements.

Modifications are available to meet custom requirements. Specifications and dimensions are subject to change without notice.

CRI	LED Life
>80	>100,000

LED Source (Box 2)	3000K		3500K		4000K		5000K		Input Watts
	Delivered Lumens	L/W	Delivered Lumens	L/W	Delivered Lumens	L/W	Delivered Lumens	L/W	
2' Fixture									
1W24*	2366	138	2401	140	2472	145	2542	149	17.1
1W33	3168	138	3215	140	3309	144	3404	148	23.0
1W41	3898	136	3956	138	4072	142	4188	146	28.7
2W52	5017	148	5091	151	5241	155	5391	159	33.8
2W61	5824	147	5911	149	6085	154	6259	158	39.6
2W71	6834	146	6936	148	7140	153	7344	157	46.8
2W81	7795	142	7912	144	8144	149	8377	153	54.8
4' Fixture									
1W25	2420	145	2456	147	2528	151	2601	156	16.7
1W37	3582	148	3635	150	3742	155	3849	159	24.2
1W49*	4731	149	4802	151	4943	155	5084	160	31.8
1W61	5824	147	5911	149	6085	154	6259	158	39.6
1W71	6834	146	6936	148	7140	153	7344	157	46.8
1W81	7795	142	7912	144	8144	149	8377	153	54.8
2W93	8890	149	9023	151	9288	155	9544	160	59.8
2W121	11648	147	11822	149	12170	153	12517	158	79.3
2W142	13668	146	14369	153	14280	152	14688	157	93.7
2W162	15590	142	15823	144	16289	149	16754	153	109.6

*1W24: Equivalent to 2L-17W-T8-(2290) Fluorescent

*1W49: Equivalent to 2L-32W-T8-(4747) Fluorescent

Specified Output Option

LC Doane programmable drivers allows us to deliver a specific lumen output. If none of the options in the chart above fit your application, let us know the desired lumen output and we will do the rest. See the example for a 4' on how this will be specified:

Example Model:

M2SW-2-**XX**¹SO-40-VARDM-(**XX**²/LUMENS)

LUMENS = You provide the lumens.

XX¹ = We will determine the number of rows.

XX² = We will provide the wattage information.