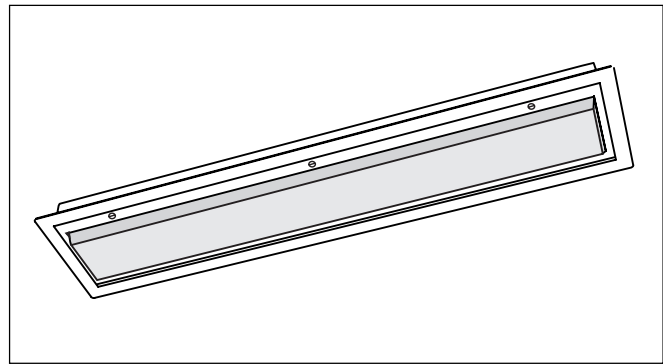


## M100RD Series

### Recessed Mount Fluorescent Light Fixture 1 X 2 Housing

Designed and constructed for commercial marine/wet location recessed mount ceiling applications. The design is dripproof, yet easy to install and service. Constructed from marine grade aluminum with an acrylic lens.



M100RD Series

#### Specifications

**HOUSING:** Manufactured of die formed aluminum with continuously welded seams.

**LENS FRAME:** Manufactured of aluminum. Hinged the full length on one side, and latched with spring loaded quarter turn fasteners for easy access to lamps and maintenance of the fixture.

**LENS:** Thermoformed white acrylic with a neoprene "U" channel gasket added to the lens and sandwiched between the lens and lens frame to provide a watertight seal.

**LAMP HOLDERS:** Fluorescent lampholders are installed with vibration resistant spring loaded medium Bi-Pin lamp holders to hold the lamps securely in position.

**FINISH:** White, powdercoat polyester, inside and out, phosphate pretreated to ensure superior adhesion and rust resistance.

**BALLAST:** Standard 120 Volt, HPF. For modifications to voltage and ballast type consult the factory.

**WARRANTY:** 5 years against defective material and workmanship.

#### Applications

- **Recessed Mount**
- **Narrow Housing**
- **Passageways**
- **Work Stations**

Dripproof recessed fixture

Available in 2 feet length

1 or 2 lamp combination

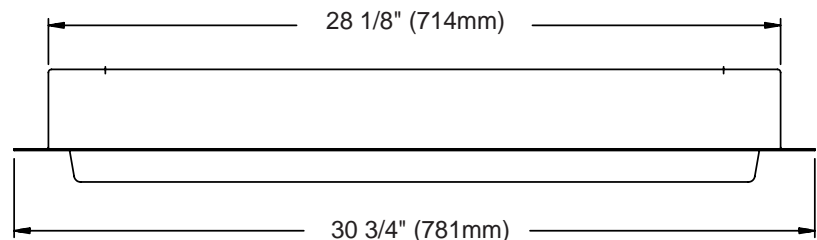
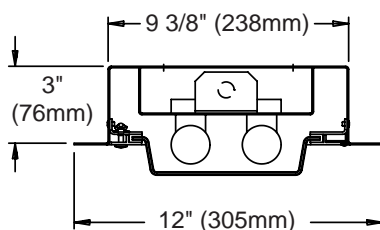
U.L. 1598A Marine

U.S.C.G. - ABS

Modifications are available to suit custom requirements

**Dimensions** Dimensions and specifications subject to change without notification

Weight: 1 X 2 = 13 Lbs. (6kg)



**How To Order** Example: M100RD-17/2-SJO.

<b>M100RD</b>			
<b>SERIES</b>	<b>LAMP TYPE</b>	<b>LAMP QUANTITY</b>	<b>OPTIONS</b>
	17 = 17W T8 20 = 20W T12	1 = 1 Lamp 2 = 2 Lamps <i>Lamps not included</i>	E1 = One lamp emergency 90 min. SJO = 10' of 16/3 Cable, Prewired DC = 12-24 Volt DC 2C = Two Circuit Wired

