



PRODUCT SPECIFICATION

The HAR series is designed for general purpose lighting in high abuse environments.

**Mounting**

Recessed flange mounts in ceiling.

**Lens**

Available with a vandal resistant, injection molded drop lens or flat prismatic lens.

**Housing**

18 gauge cold rolled steel die-formed to shape with seams welded and ground smooth.

**Finish**

Polyester powder-coated after phosphate pretreatment for superior adhesion and corrosion resistance.

**Hardware**

Stainless steel, tamper-proof fasteners.

**Wiring**

All electrical components are reflector-mounted for easy wiring and maintenance.

**Certifications**

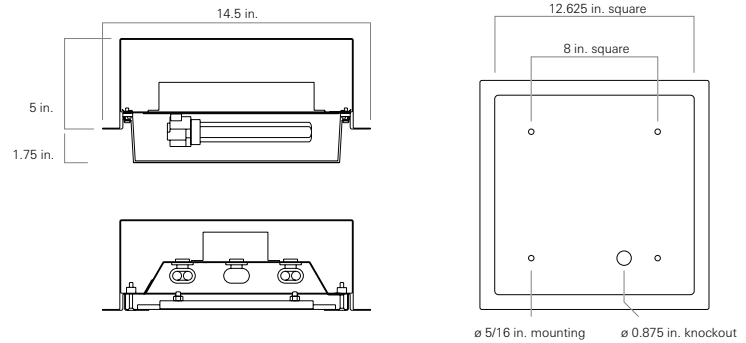
Wet location UL Listed.

Job Name \_\_\_\_\_

Fixture Type \_\_\_\_\_

Catalog No. \_\_\_\_\_

Approval \_\_\_\_\_ Date \_\_\_\_\_



**one Lamps (not included)**

- 13 13 W T4 TT
- 13D 13 W T4 DTT
- 26 26 W T4 DTT, 2 lamp maximum

**four Ballast**

- EL Electronic high power factor, std for DTT
- HP High power factor
- PH Pre-heat, std for 13W TT

**six Fasteners**

- AP Stainless steel allen head with pin
- TP Stainless steel torx head with pin
- PH Phillips, non-security

**two Lamp Quantity**

- 1 One
- 2 Two
- 3 Three

**five Lens**

- A Drop, acrylic
- P Drop, polycarbonate
- 53 flat, acrylic .125 in. K12 prismatic
- 55 flat, acrylic .156 in K12 prismatic
- 15 flat, polycarbonate .156 in K12 prismatic
- 16 flat, polycarbonate .187 in K12 prismatic
- 75 flat, tempered glass .156 in. prismatic

**seven UL Listing**

- W Wet Location

**three Voltage**

- 120 120 V, 60 Hz
- 277 277 V, 60 Hz
- 347 347 V, 60 Hz
- VAR Variable, 120-277 V, 50/60Hz

**eight Options**

- CU Canadian UL Listing
- E1 One lamp emergency ballast
- FH Fuse and holder
- PF Plaster frame
- SR Specular reflector

Modifications are available to meet custom requirements.