



# FHN 12 in.

Security Fluorescent Recessed Flange

## PRODUCT SPECIFICATION

The FHN series is designed for use in all levels of security facilities and high abuse applications.

### Mounting

Mounts recessed in metal pan or gypsum ceiling with universal mounting brackets.

### Housing

Die-formed cold rolled steel with seams welded and ground smooth. Stainless steel available.

### Door

One piece, die formed cold rolled steel door with 14 gauge lens retainers and a full length welded pin piano hinge. Stainless steel available.

### Finish

Polyester powder-coated after phosphate pretreatment for superior adhesion and corrosion resistance. Brushed stainless steel available.

### Hardware

Recessed, stainless steel, tamper-proof fasteners.

### Wiring

All electrical components are reflector-mounted for easy wiring and maintenance.

### Certifications

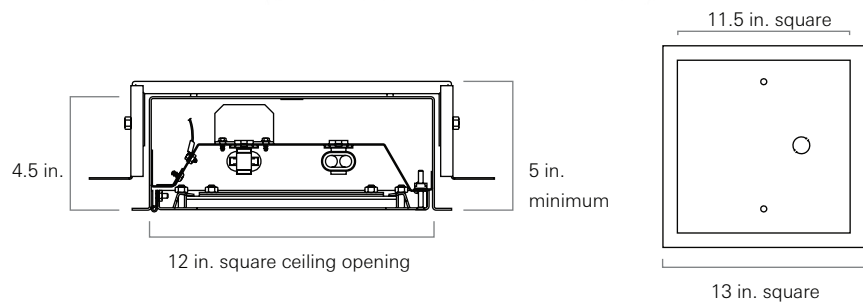
UL Listed damp or wet location.

Job Name \_\_\_\_\_

Fixture Type \_\_\_\_\_

Catalog No. \_\_\_\_\_

Approval \_\_\_\_\_ Date \_\_\_\_\_



FHN	one	two	-	three	four	five	-	six	seven	-	eight	/	nine	-	ten	eleven	-	twelve
-----	-----	-----	---	-------	------	------	---	-----	-------	---	-------	---	------	---	-----	--------	---	--------

### one Lamps (not included)

- 13 13 W T4 TT
- 13D 13 W T4 DTT
- 26 26 W T4 DTT

### two Lamp Quantity

- 1 one
- 2 two

### three Material Gauge

- N 18 gauge, minimum security
- D 16 gauge, medium security
- X 14 gauge, maximum security

### four Material

- C Cold rolled steel
- S Stainless steel

### five Finish

- R Brushed stainless steel
- W White

### six Voltage

- 120 120 V, 60 Hz
- 277 277 V, 60 Hz
- 347 347 V, 60 Hz
- VAR Variable, 120-277 V, 50/60Hz

### seven Ballast

- EL Electronic high power factor, std for DTT
- HP High power factor
- PH Pre-heat, std for 13W TT

### eight Internal Lens

- 53 .125 in. K12 prismatic acrylic
- 12 .125 in. K12 prismatic polycarbonate
- 15 .156 in. K12 prismatic polycarbonate
- 16 .187 in. K12 prismatic polycarbonate
- 75 .156 in. C73 prismatic tempered glass
- 01 .005 in. UV absorbing overlay

### nine External Lens

- 30 .187 in. clear polycarbonate
- 32 .250 in. clear polycarbonate
- 36 .375 in. clear polycarbonate
- 38 .500 in. clear polycarbonate
- 90 .187 in. clear tempered glass
- 92 .250 in. clear tempered glass
- 96 .375 in. clear tempered glass

### ten Fasteners

- AP Stainless steel allen head with pin
- TP Stainless steel torx head with pin
- PH Phillips, non-security

### eleven UL Listing

- D Damp Location
- W Wet Location

### twelve Options

- CU Canadian UL Listing
- E1 One lamp emergency ballast
- FH Fuse and holder

Modifications are available to meet custom requirements.