



# FHN-LED

Correctional Recessed Flange **LED**

## PRODUCT SPECIFICATION

The FHN series is designed for use in all levels of correctional facilities and high abuse applications.

### Mounting

Mounts recessed in metal pan or gypsum ceiling with universal mounting brackets.

### Housing

Die-formed cold rolled steel with seams welded and ground smooth. 304 Stainless steel available.

### Door

One piece, die formed cold rolled steel door with 14 gauge lens retainers and a full length welded pin piano hinge. 304 Stainless steel available.

### Internal Lens

Optic Plus lens (standard) completely hides diode image while providing greater than 90% light transmission.

### Finish

Polyester powder-coated after phosphate pretreatment for superior adhesion and corrosion resistance. Brushed stainless available.

### Hardware

Recessed, stainless steel, tamper-proof fasteners.

### Driver

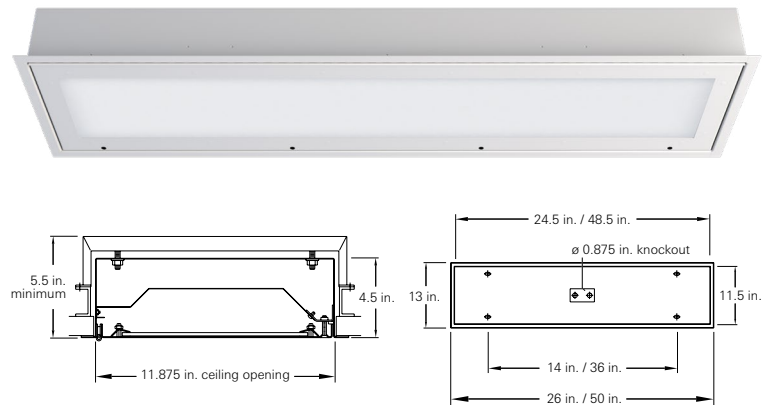
0-10Vdc 1% dimming, >0.9 PF, <20% THD  
Factory programmable, Operating temp -40°C Min. to 50°C Max

### Wiring

Access plate with two .875 in. diameter knockouts.  
Driver provided with pre-wired 3-wire self-aligning input power quick disconnect and 2-wire quick disconnect to LED module.

### Certifications

UL Listed damp or wet location. IP54 rated.



	one	two	three	four	five	six	seven	eight	nine	ten	eleven	twelve	thirteen	fourteen
<b>FHN</b>	-		/	-				-	<b>DM</b>	-	/	-	-	

<b>one</b>	<b>Luminaire Size</b>	<b>seven</b>	<b>Finish</b>	<b>twelve</b>	<b>Door Fasteners</b>
2	2 ft fixture	R	Brushed (stainless steel only)	AP	Stainless steel allen head with pin
4	4 ft fixture	W	White	TP	Stainless steel torx head with pin
				PH	Phillips, non-security
<b>two</b>	<b>LED Source</b>	<b>eight</b>	<b>Voltage</b>	<b>thirteen</b>	<b>UL Listing</b>
	Refer to the LED Source Table on Page 2 for available options.	VAR	Variable, 120-277 V, 50/60Hz	D	Damp Location
		347	347VAC, 60Hz	W	Wet Location
<b>three</b>	<b>Color Temperature</b>	<b>nine</b>	<b>Driver</b>	<b>fourteen</b>	<b>Options</b>
30	3000K	DM	0-10Vdc Dimming, <u>standard</u>	SO	Specified output*
35	3500K			2C	Two-circuit wired
40	4000K	<b>ten</b>	<b>Internal Lens</b>	CP	CCEA Chicago
50	5000K	122	Optic Plus LED diffusing acrylic, <u>standard</u>	CU	Canadian UL Listing
		130	.125 in. LED diffusing Lexan	EM	Emergency battery backup
<b>four</b>	<b>CRI</b>	53	.125 in. K12 prismatic acrylic	FH	Fuse and holder
80	80 CRI	12	.125 in. K12 prismatic polycarbonate	NL-LED	Night light, LED (Amber available)
90	90 CRI	15	.156 in. K12 prismatic polycarbonate		5-100% Adjustability
		16	.187 in. K12 prismatic polycarbonate	IMS	Integral Occ Sensor
<b>five</b>	<b>Material Gauge</b>	<b>eleven</b>	<b>External Lens</b>	PF	Plaster frame
N	18 gauge, minimum security	30	.187 in. clear polycarbonate		
D	16 gauge, medium security	32	.250 in. clear polycarbonate		
X	14 gauge, maximum security	36	.375 in. clear polycarbonate		
<b>six</b>	<b>Material</b>	38	.500 in. clear polycarbonate		
C	Cold rolled steel	90	.187 in. clear tempered glass		
S	Stainless steel	92	.250 in. clear tempered glass		
		96	.375 in. clear tempered glass		

\* Indicated as SO(xx/xxxx). Specified output, Input watts / delivered lumens to be determined based on specified requirements.

Modifications are available to meet custom requirements. Specifications and dimensions are subject to change without notice.

		CRI		LED Life					
		>80		>100,000					
LED Source (Box 2)	3000K		3500K		4000K		5000K		Input Watts
	Delivered Lumens	L/W	Delivered Lumens	L/W	Delivered Lumens	L/W	Delivered Lumens	L/W	
<b>2' Fixture</b>									
1W21	2048	89	2079	90	2140	93	2200	96	23.0
2W39	3766	95	3822	97	3935	99	4045	102	39.6
2W52	5041	92	5116	93	5267	96	5414	99	54.8
<b>4' Fixture</b>									
1W22	2129	95	2161	97	2225	100	2287	103	22.3
1W39	3766	95	3822	97	3935	99	4045	102	39.6
1W52	5041	92	5116	93	5267	96	5414	99	54.8
2W67	6488	96	6585	97	6779	100	6969	103	67.6
2W92	8838	94	8971	96	9235	99	9494	101	93.7
2W105	10081	92	10233	93	10534	96	10829	99	109.6

Delivered lumen output calculated using 122 inner lens and 32 (.250" Clear Polycarbonate) outer lens (Highlighted below).

Lens Multiplier - Use the multipliers below to adjust the delivered lumens									
Internal Lens					External Lens				
53	.125 in. K12 prismatic acrylic			1.00	30	.187" Clear polycarbonate			1.02
12	.125 in K12 prismatic polycarbonate			.98	32	.250" Clear Polycarbonate			1.00
15	.156 in. K12 prismatic polycarbonate			.97	36	.375" Clear polycarbonate			.96
16	.187 in. K12 prismatic polycarbonate			.95	38	.500" Clear polycarbonate			.92
122	Optic Plus diffusing acrylic			1.00	90	.187" Clear tempered glass			1.04
<b>90 CRI Multiplier</b>		<b>.86</b>			92	.250" Clear tempered glass			1.03
					96	.375" Clear tempered glass			.99

## Specified Output Option

L.C. Doane programmable drivers allow us to deliver a specific lumen output. If none of the options in the chart above fit your application, let us know the desired lumen output and we will do the rest. See the example how this will be specified.

### Example Model:

FHN-**XW**SO-40/80-DCW-VARDM-122/32-TPAW-(**XXXXX**)

**XW** = We will determine the number of rows.

**LUMENS** = XXXXX