



CRN1-LED

Correctional Behavioral Health **LED** Recessed Flange

PRODUCT SPECIFICATION

The CRN1 series is designed for use in all levels of correctional facilities, behavioral health units, and high abuse applications. Anti-ligature for patient safety.

Mounting

Mounts recessed in metal pan or gypsum ceiling with universal mounting brackets.

Housing

16 gauge die-formed cold rolled steel with seams welded and ground smooth.

Door

One-piece die-formed cold rolled steel overlapping door with 14 gauge lens retainers. Freedom Hinge™ design permits removal and hinging from either side. 304 Stainless steel available.

Internal Lens

Optic Plus lens (standard) completely hides diode image while providing greater than 90% light transmission.

Finish

Polyester powder-coated after phosphate pretreatment for superior adhesion and corrosion resistance. Brushed stainless steel available.

Hardware

Recessed, stainless steel, tamper-proof fasteners.

Driver

0-10Vdc 1% dimming, >0.9 PF, <20% THD
Factory programmable, Operating temp -40°C Min. to 50°C Max

Wiring

.875 in. diameter knockout. Driver provided with pre-wired 3-wire self-aligning input power quick disconnect and 2-wire quick disconnect to LED module.

Certifications

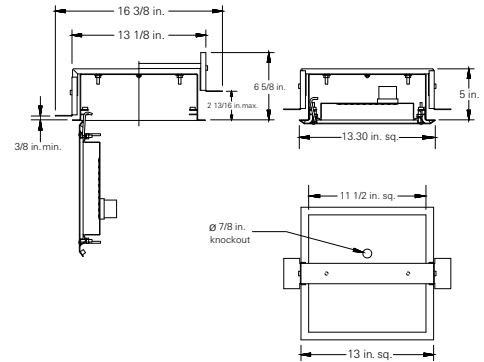
UL Listed damp or wet location.

Job Name _____

Fixture Type _____

Catalog No. _____

Approval _____ Date _____



CRN1 - one - two / three - four five six - seven eight - nine ten eleven twelve - thirteen
DM - / - -

- one LED Source**
Refer to the LED Source Table on Page 2 for available options.
- two Color Temperature**
30 3000K
35 3500K
40 4000K
50 5000K
- three CRI**
80 80 CRI
90 90 CRI
- four Door Gauge**
N 18 gauge, minimum security
D 16 gauge, medium security
X 14 gauge, maximum security
U 12 gauge, super max, CRS only
- five Door Material**
C Cold rolled steel
S 304 Stainless steel
- six Finish**
R Brushed (Stainless steel only)
W White

- seven Voltage**
VAR Variable, 120-277 V, 50/60Hz
347 347VAC, 60Hz
- eight Driver**
DM 0-10Vdc Dimming, standard
- nine Internal Lens**
122 Optic Plus LED diffusing acrylic, standard
130 .125 in. LED diffusing Lexan
53 .125 in. K12 prismatic acrylic
12 .125 in K12 prismatic polycarbonate
15 .156 in. K12 prismatic polycarbonate
16 .187 in. K12 prismatic polycarbonate
- ten External Lens**
30 .187 in. clear polycarbonate
32 .250 in. clear polycarbonate
36 .375 in. clear polycarbonate
38 .500 in. clear polycarbonate
90 .187 in. clear tempered glass
92 .250 in. clear tempered glass
96 .375 in. clear tempered glass

- eleven Door Fasteners**
AP Stainless steel allen head with pin
TP Stainless steel torx head with pin
PH Phillips, non-security
- twelve UL Listing**
D Damp Locations
W Wet Location
- thirteen Options**
CU Canadian UL Listing
CP CCEA Chicago
EM Emergency battery backup
FH Fuse and holder
- Housing Material**
AH Aluminum
SH Stainless steel

Modifications are available to meet custom requirements. Specifications and dimensions are subject to change without notice.

CRI	LED Life
>80	>100,000

LED Source (Box 2)	3000K		3500K		4000K		5000K		Input Watts
	Delivered Lumens	L/W	Delivered Lumens	L/W	Delivered Lumens	L/W	Delivered Lumens	L/W	
1' x 1' Fixture									
1W19	1680	98	1706	100	1756	103	1806	106	17.1
1W25	2250	98	2284	99	2351	102	2418	105	23.0
1W31	2769	96	2810	98	2893	101	2975	104	28.7

Delivered lumen output calculated using 122 inner lens and 32 (.250" Clear Polycarbonate) outer lens (Highlighted below).

Lens Multiplier - Use the multipliers below to adjust the delivered lumens									
Internal Lens					External Lens				
122	Optic Plus diffusing acrylic		1.00		30	.187" Clear polycarbonate			1.02
130	.125 in. LED diffusing Lexan		.95		32	.250" Clear Polycarbonate			1.00
53	.125 in. K12 prismatic acrylic		1.00		36	.375" Clear polycarbonate			.96
12	.125 in K12 prismatic polycarbonate		.98		38	.500" Clear polycarbonate			.92
15	.156 in. K12 prismatic polycarbonate		.97		90	.187" Clear tempered glass			1.04
16	.187 in. K12 prismatic polycarbonate		.95		92	.250" Clear tempered glass			1.03
90 CRI Multiplier			.83		96	.375" Clear tempered glass			.99

Specified Output Option

LC Doane programmable drivers allows us to deliver a specific lumen output. If none of the options in the chart above fit your application, let us know the desired lumen output and we will do the rest. See the example how this will be specified:

Example Model:

CRN1-1WSO-40/80-DCW-VARDM-122/32-TPD-(**XX/LUMENS**)

LUMENS = You provide the lumens.

XX = We will provide the wattage information.