



CLS-LED

Hazardous Location **LED** Surface Mount Ceiling

PRODUCT SPECIFICATION

The CLS is designed for use in industrial and hazardous location environments.

Mounting

Surface mounts to ceilings via shock absorbing mounting brackets.

Housing

18 gauge cold rolled steel die-formed to shape, seam welded and ground smooth.

Door

One piece, die-formed 16 gauge cold rolled steel with 'J-Hook' hinge system.

Lens

Optic Plus lens (standard) completely hides diode image while providing greater than 90% light transmission.

Finish

Polyester powder-coated after phosphate pretreatment for superior adhesion and corrosion resistance.

Hardware

Stainless steel Phillips head fasteners (standard)

Driver

0-10Vdc, >0.9 PF, <20% THD
Factory programmable, Operating temp -40°C Min. to 50°C Max

Wiring

Wire entry is provided by a 0.50 in. NPT hazardous location conduit hub.

Certifications

UL 844. IP 65 rated. Certified for Class I Division 2, location groups A, B, C, and D, Class II Division 2, location groups F and G, Class III.

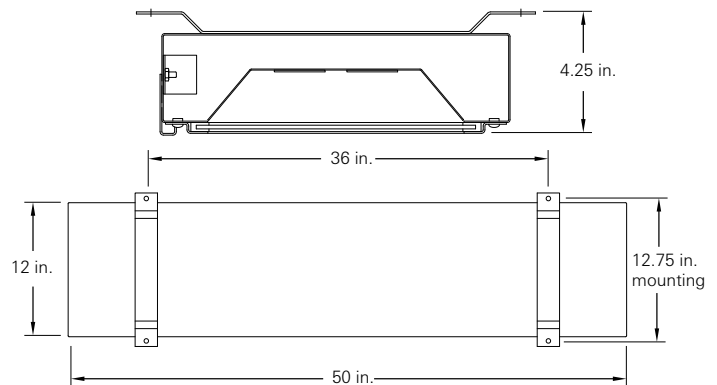
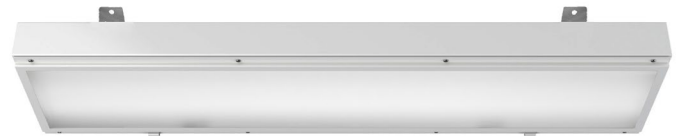
Job Name _____

Fixture Type _____

Catalog No. _____

Approval _____

Date _____



one two three four five six seven eight
CLS 4 - - - - VAR - -

one Luminaire Size
4 4 ft. fixture

two LED Designation
Refer to the LED Source Table on Page 2 for available options.

three Color Temperature
35 3500K
40 4000K
50 5000K

four Material
C Cold rolled steel, standard

five Finish
W White, standard

six Voltage
VAR Variable, 120-277 V, 50/60Hz

seven Lens
122 Optic Plus LED diffusing acrylic, standard
130 .125 in. LED diffusing Lexan
15 .156 in. polycarbonate prism
53 .156 in. acrylic prism
75 .156 in. tempered glass prism

eight Options
AP Stainless steel allen head with pin
TP Stainless steel torx head with pin
2C Two-circuit wired
2H Two conduit hubs, one on each end
EM Emergency battery backup (Hazardous location)
SO Specified Output*

* Indicated as SO(xx/xxxx). Specified output, input watts / delivered lumens to be determined based on specified requirements.

Temperature code:

Class I, Div. 2 = T3C (160°C)
(No luminaire surface exposed to the hazardous atmosphere will exceed this temperature. Based on 40°C (104°F) ambient).

CRI	LED Life
>80	>100,000

LED Source (Box 2)	3500K		4000K		5000K		Input Watts
	Delivered Lumens	L/W	Delivered Lumens	L/W	Delivered Lumens	L/W	
4 ft. Fixture							
1L	6847	125	7049	129	7250	132	54.8
2L	13694	125	14097	129	14500	132	109.6

Delivered lumen output calculated using 122 lens (Highlighted below).

Lens Multiplier - Use the multipliers below to adjust the delivered lumens		
Lens		
122	Optic Plus LED diffusing acrylic, <u>standard</u>	1.00
130	.125 in. LED diffusing Lexan	.95
15	.156 in. polycarbonate prism	.97
53	.156 in. acrylic prism	.98
75	.156 in. tempered glass prism	.97

Specified Output Option

LC Doane programmable drivers allows us to deliver a specific lumen output. If none of the options in the chart above fit your application, let us know the desired lumen output and we will do the rest. See the example below on how this will be specified:

Example Model:

CLS4-**XX**¹-40-CW-VAR-122-(**XX**²/**LUMENS**)

LUMENS = You provide the lumens.

XX¹ = We will determine the number of rows.

XX² = We will provide the wattage information.

Photometric Data @ 80 CRI

90 CRI multiplier	.83
-------------------	-----