

Instructions for: HRA Installation Instructions

IMPORTANT!

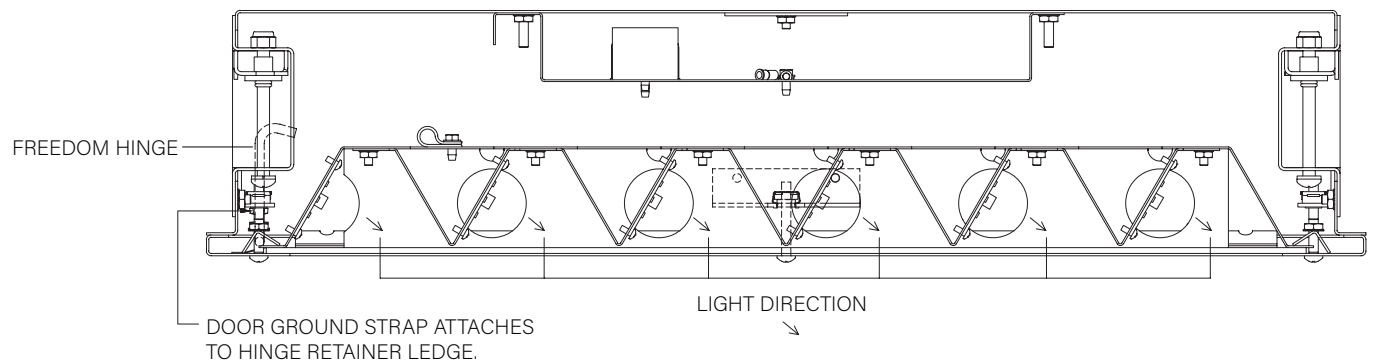
When using electrical equipment, basic safety precautions must be followed:

Service must be performed by qualified service personnel.

Do not use product for other than intended use.

Do not install this product near gas or electric heaters.

The HRA is a directional light fixture and must be installed to direct light where intended.



***Arrange housing so that the freedom hinge is farthest from the target.**

*Dimensions are subject to change without notice.
Any additional instructions present on or within the fixture supersede these instructions.*

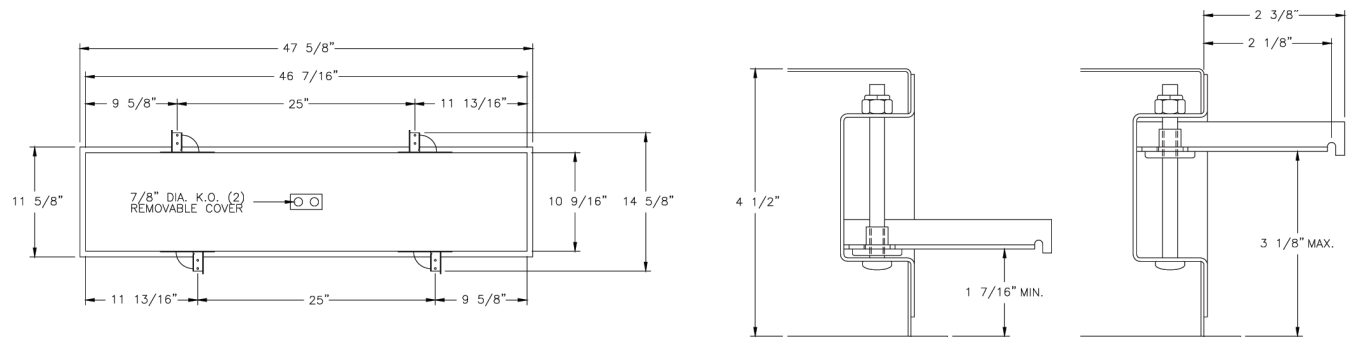
HRA (FLANGE) INSTALLATION INSTRUCTIONS

1. Prepare installation site in accordance with all applicable building codes.
2. Unfasten door retaining screws.
3. Disconnect all electrical connections to the door and remove door from fixture.
4. Remove wireway from housing.
5. Punch out all wire access knockouts that will be used.
6. If a tight seal between the housing flange and ceiling surface is required, run a continuous bead of caulk along top of housing flange.
7. Raise housing into prepared ceiling opening and drive the (4) swing arm screws to extend swing arms.
8. Continue driving swing arm screws until housing clamps tightly to ceiling.
9. Hang wireway from housing such that electrical connections are accessible. The wireway should be hung from the housing side opposite of where the assembled fixture will direct light.
10. Wire fixture in accordance with NEC and local code requirements.
11. Pivot wireway closed and secure to housing back.
12. Hang fixture door from housing side opposite of where the assembled fixture will direct light.
13. Reconnect all electrical connections to the door.
14. Affix door to housing with door closure screws.

HRA 1x4 Installation

Recommended ceiling cutout: 46 ⁵/₈" x 10 ³/₄"

Recommended plaster frame cutout: 47 ⁷/₈" x 11 ⁷/₈"

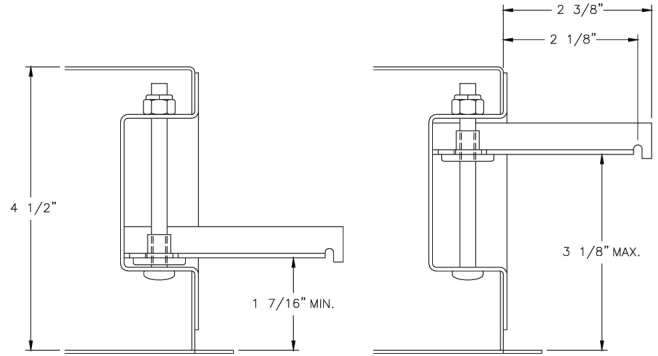
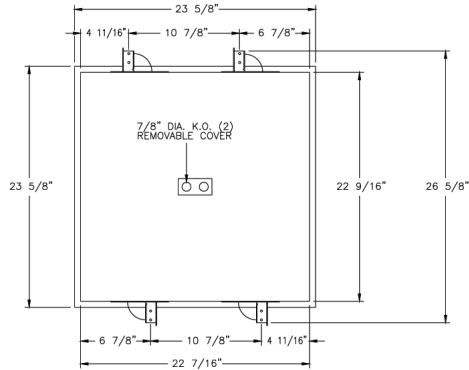


*Dimensions are subject to change without notice.
Any additional instructions present on or within the fixture supersede these instructions.*

HRA 2x2 Installation

Recommended ceiling cutout: 22 5/8" x 22 3/4"

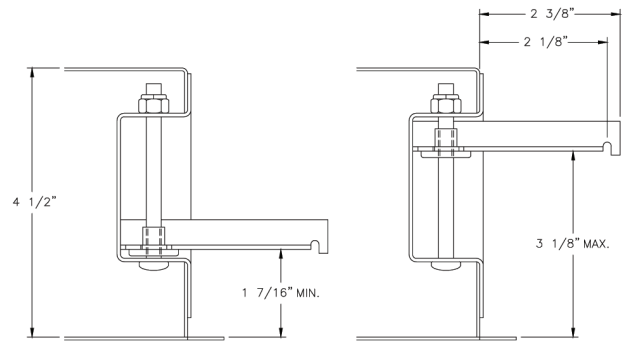
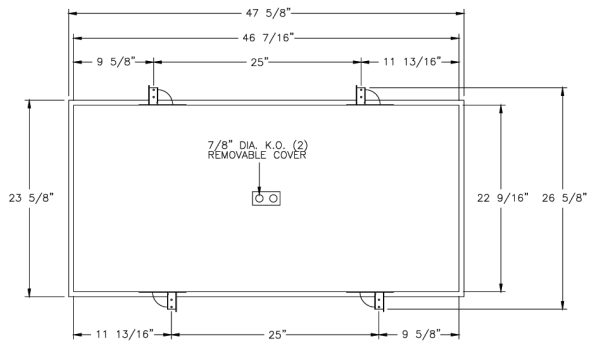
Recommended plaster frame cutout: 23 7/8" x 23 7/8"



HRA 2x4 Installation

Recommended ceiling cutout: 46 5/8" x 22 3/4"

Recommended plaster frame cutout: 47 7/8" x 23 7/8"



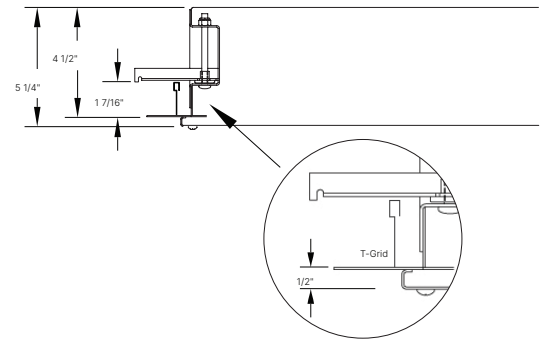
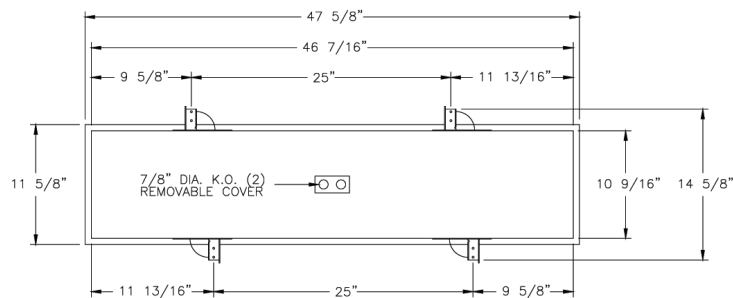
Dimensions are subject to change without notice.
Any additional instructions present on or within the fixture supersede these instructions.



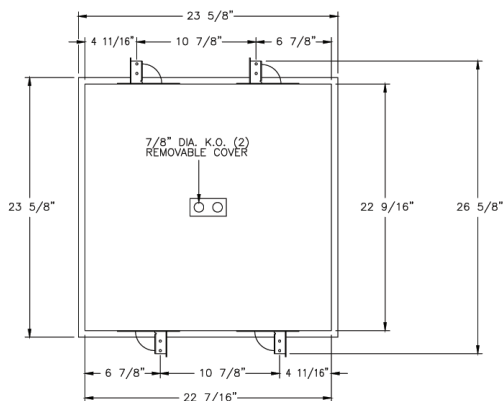
HRA (GRID) INSTALLATION INSTRUCTIONS

1. Prepare installation site in accordance with all applicable building codes.
2. Unfasten door retaining screws.
3. Disconnect all electrical connections to the door and remove door from fixture.
4. Remove wireway from housing.
5. Punch out all wire access knockouts that will be used.
6. Angle housing through grid opening and reorient to seat within grid.
7. Exposed swing arm bolts may be used as anchor points if anchoring fixture to building superstructure.
8. Hang wireway from housing such that electrical connections are accessible. The wireway should be hung from the housing side opposite of where the assembled fixture will direct light.
9. Wire fixture in accordance with NEC and local code requirements.
10. Pivot wireway closed and secure to housing back.
11. Hang fixture door from housing side opposite of where the assembled fixture will direct light.
12. Reconnect all electrical connections to the door.
13. Affix door to housing with door closure screws.

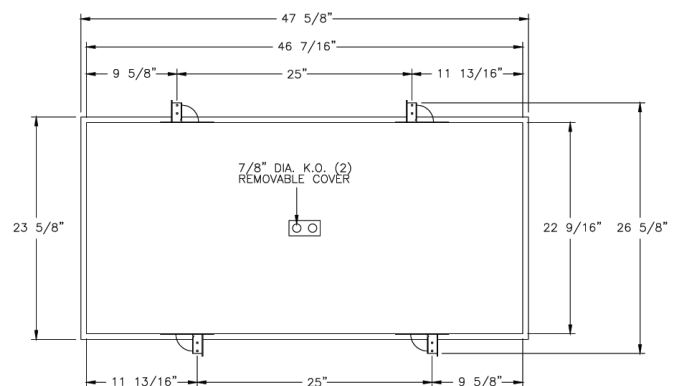
HRA 1x4 Installation



HRA 2x2 Installation



HRA 2x4 Installation



*Dimensions are subject to change without notice.
Any additional instructions present on or within the fixture supersede these instructions.*